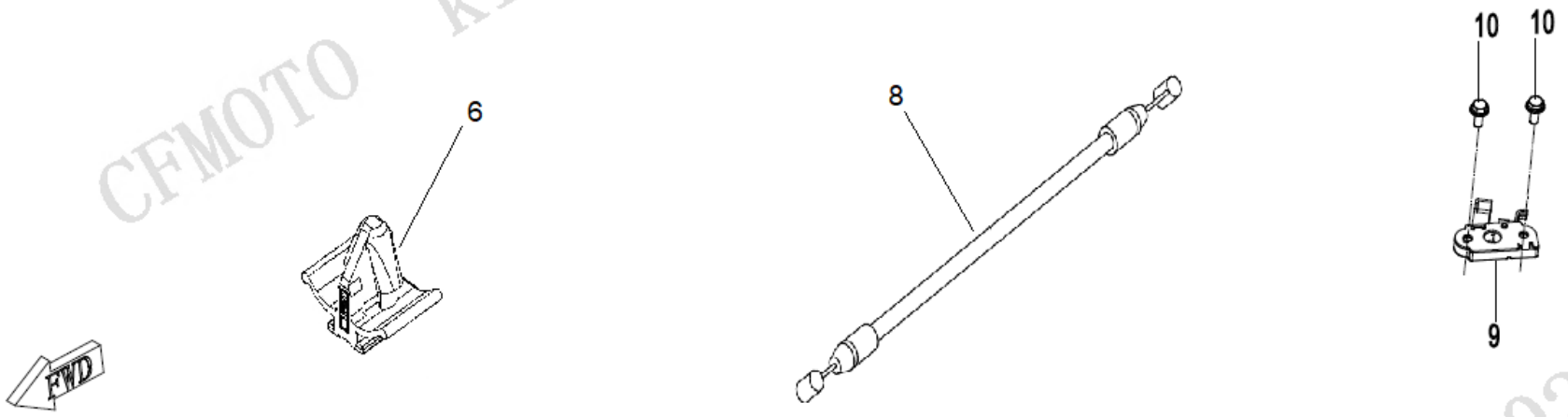
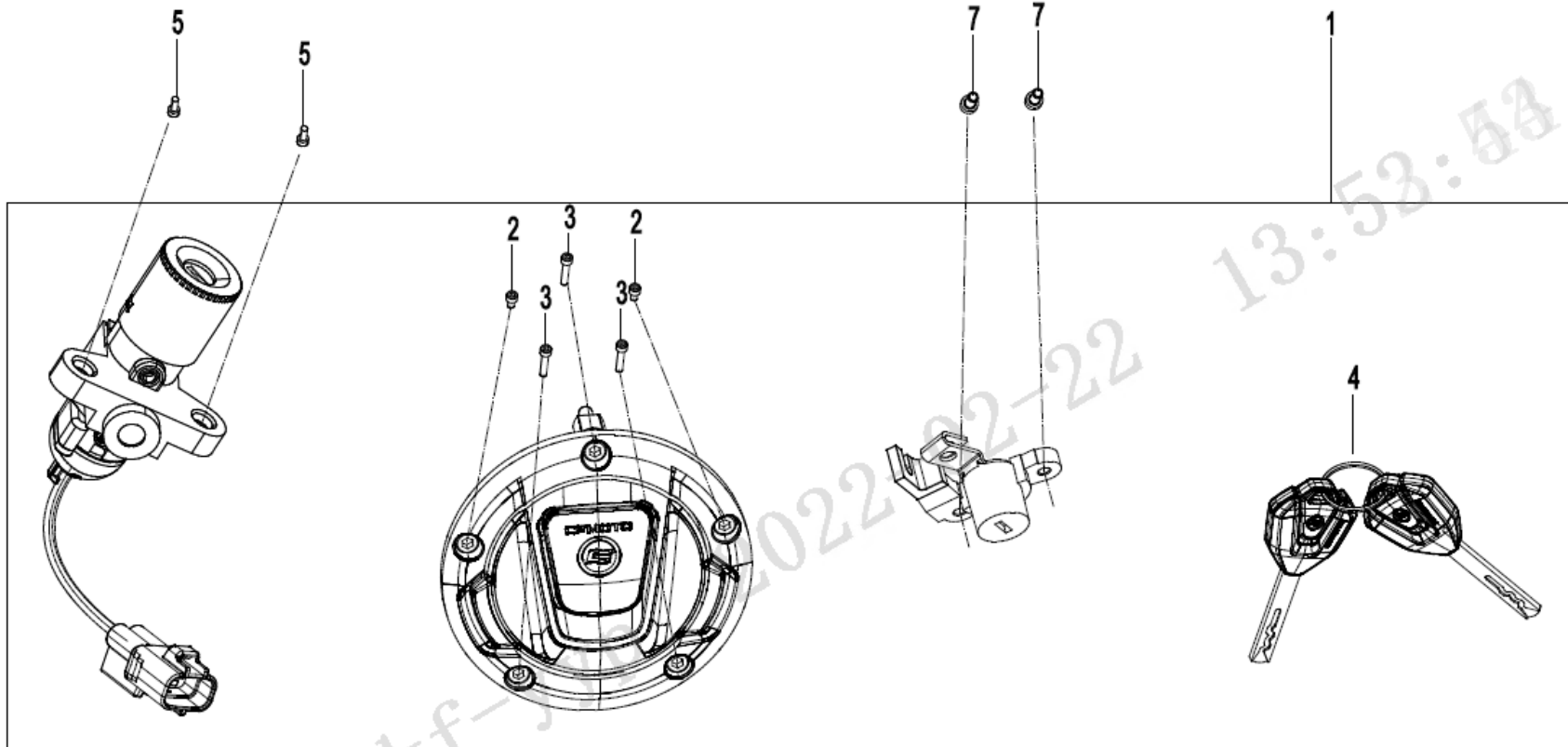


F01 锁具 LOCK KIT

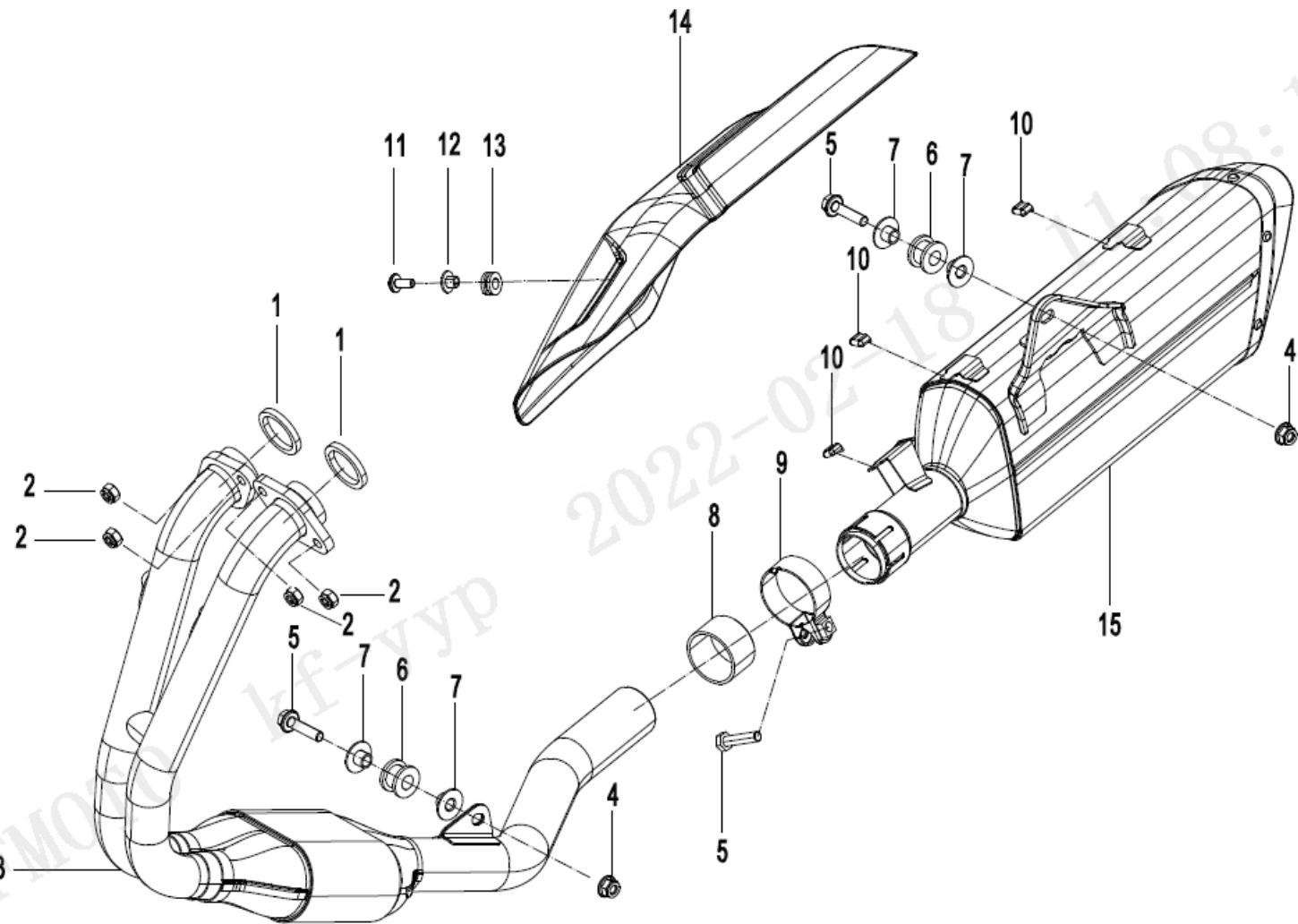
锁具/LOCK KIT



Item No.	Parts Number	Parts Name(EN)	Parts Name(CN)	Qty	Remarks
F01-01	6AQV-011000-1000-10	LOCK KIT	锁具组合	1	
F01-02	30102-050008900	INNER HEX SCREW M5x8	内六角圆柱头螺钉 M5X8	2	
F01-03	30102-050025900	INNER HEX SCREW M5x25	内六角圆柱头螺钉 M5X25	3	
F01-04	6AQV-011020-4000	KEY	钥匙	2	
F01-05	6KJ0-010001	BOLT	断头螺栓	2	
F01-06	CFCV-CAC002-2000-M1	CLIP	CLIP	1	
F01-07	30102-050012810	SCREW M5X12	螺钉 M5X12	2	
F01-08	6AQV-011012-1000	SEAT CABLE	座垫拉索	1	
F01-09	6GU#-010320-6000	LOCK SEAT, SEAT	坐垫锁座	1	
F01-10	30006-060022810	BOLT M6X22	螺栓 M6X22	2	

F02 消声器 MUFFLER

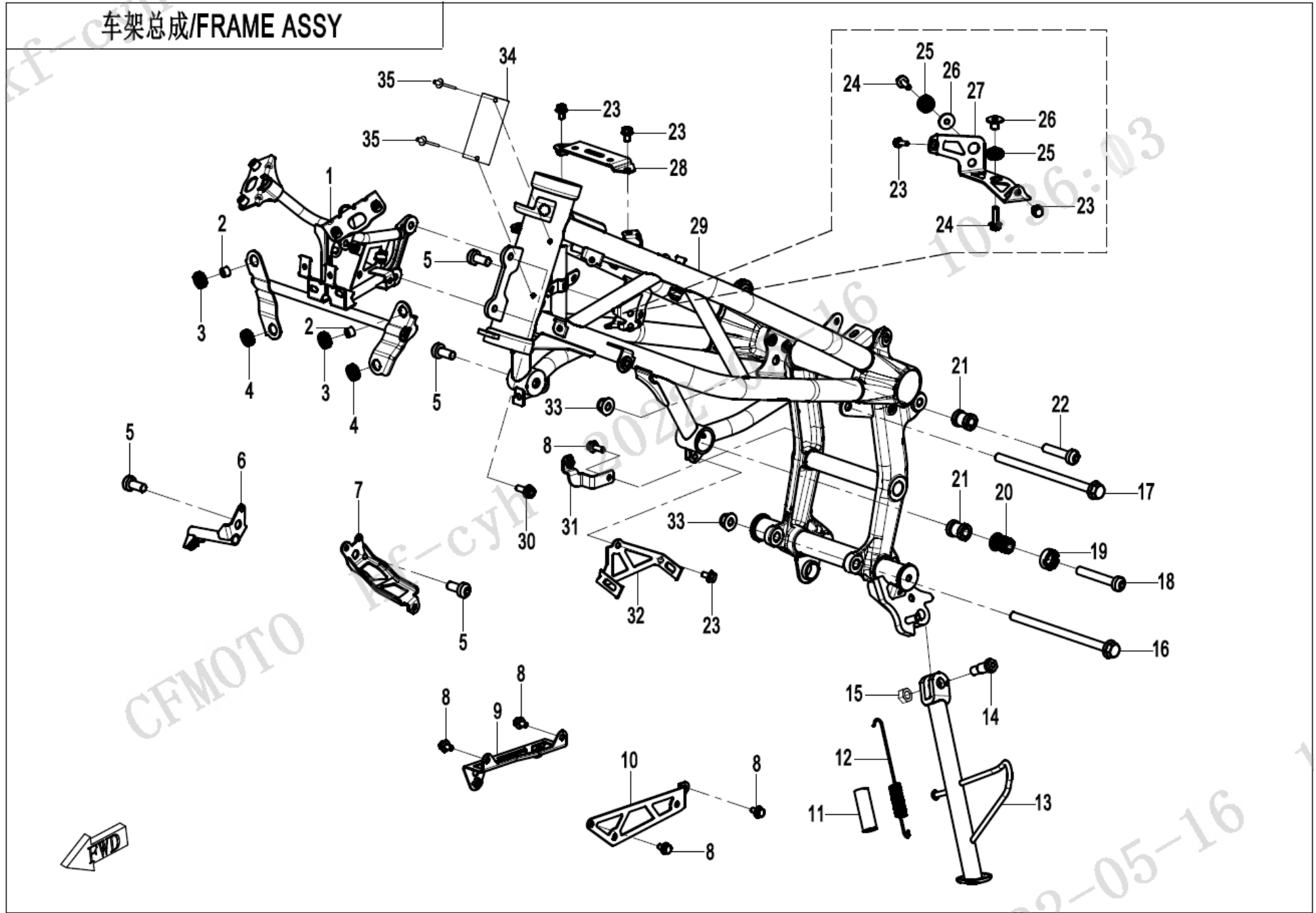
消声器/MUFFLER



Item No.	Parts Number	Parts Name(EN)	Parts Name(CN)	Qty	Remarks
F02-01	6090-020010	GASKET, EXHAUST PORT	排气口密封垫	2	
F02-02	6L30-020005	LOCK NUT	锁紧螺母	4	
F02-03	6AQV-021100-1000-10	EXHAUST PIPE ASSY	排气管焊接组件	1	
F02-04	30204-080810	LOCK NUT M8	全金属六角法兰面锁紧螺母 M8	2	
F02-05	30006-080035810	BOLT M8X35	螺栓 M8X35	3	
F02-06	A000-020004	DAMPER, MUFFLER	消声器缓冲套	2	
F02-07	A000-020005	BUSHING	衬套	4	
F02-08	6AQV-021400-1000	SEAL SLEEVE, GRAPHITE	石墨密封套	1	
F02-09	6AQV-021500-1000	CLAMP KIT	卡箍组件	1	
F02-10	6GU#-021005-6000	GUARD RUBBER SLEEVE	护罩橡胶套	3	
F02-11	6WWV-046902-5000	INNER HEX SCREW M6x20	M6x20内六角螺钉	1	
F02-12	6AQV-021002-1000	BUSHING	衬套	1	
F02-13	6AQV-021003-1000	RUBBER BUSHING, GUARD	护罩橡胶套	1	
F02-14	6AQV-021001-1000	GUARD, MUFFLER	消声器护罩	1	
F02-15	6AQV-021200-1000-10	MUFFLER ASSY	筒体焊接组件	1	

F03-1-V2 车架-1 FRAME-1

车架总成/FRAME ASSY

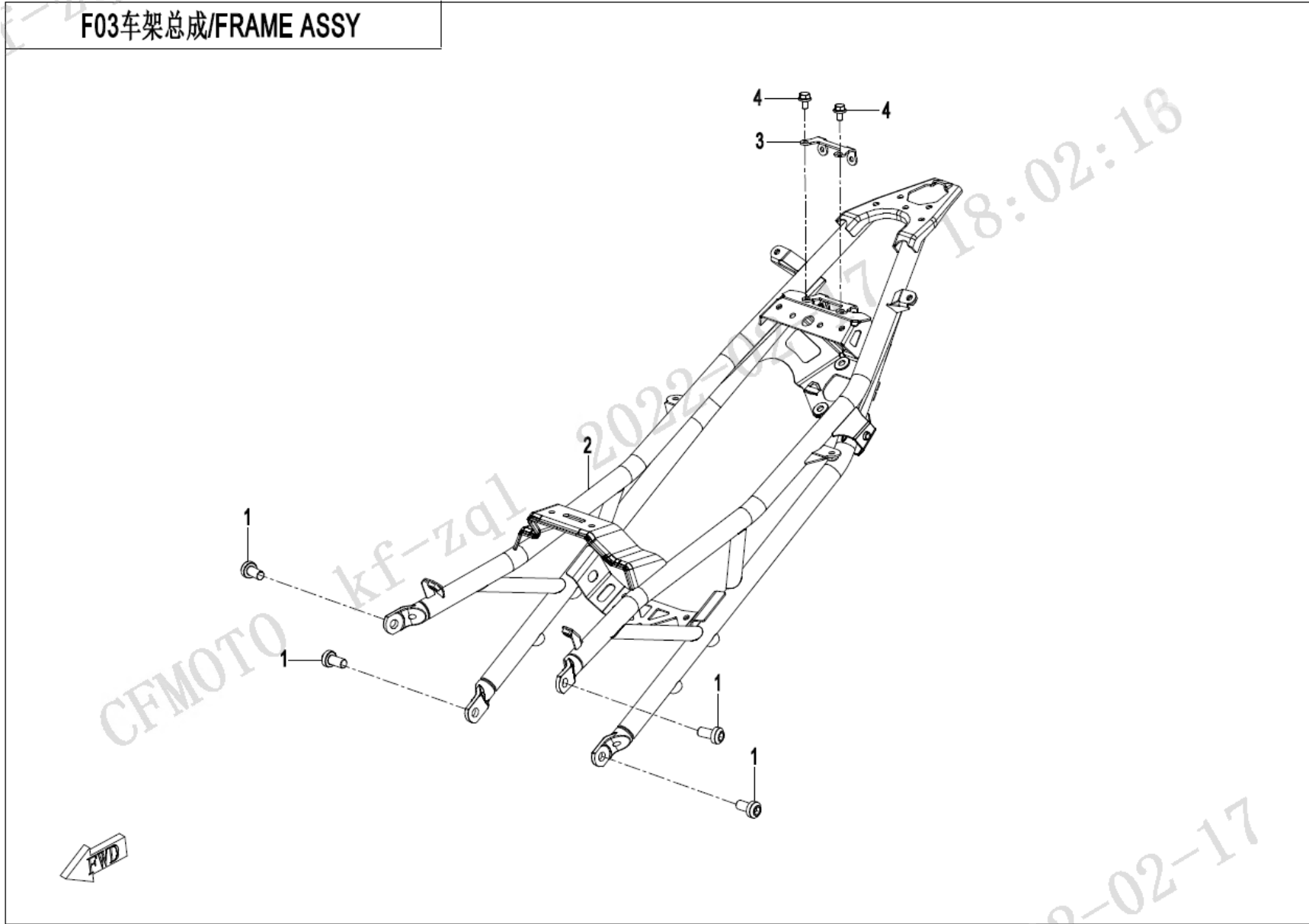


Item No.	Parts Number	Parts Name(EN)	Parts Name(CN)	Qty	Remarks
F03-1-V2-01	6AQV-030400-1500	HEADLIGHT ASSY	大灯支架焊接组件	1	

Item No.	Parts Number	Parts Name(EN)	Parts Name(CN)	Qty	Remarks
F03-1-V2-02	6090-040303	BUSHING	衬套	2	
F03-1-V2-03	6090-040302	CUSHION SLEEVE	缓冲胶套	2	
F03-1-V2-04	9010-160101	HEADLIGHT RUBBER DAMPER	前照灯胶垫	2	
F03-1-V2-05	6L30-030092	BOLT M10x22	主副车架固定螺栓 M10X22	4	
F03-1-V2-06	6AQV-030030-1000	RH GUARD	右护罩焊接组件	1	
F03-1-V2-07	6AQV-030008-1000	BRACKET, LH GUARD	左护罩安装座	1	
F03-1-V2-08	30006-060010810	BOLT M6X10	螺栓 M6X10	5	
F03-1-V2-09	6AQV-030005-1000	LH BRACKET, LOWER GUARD	下护罩左安装座	1	
F03-1-V2-10	6AQV-030006-1000	RH BRACKET, LOWER GUARD	下护罩右安装座	1	
F03-1-V2-11	A000-030004	SIDE STAND SPRING SLEEVE	边撑弹簧护套	1	
F03-1-V2-12	A000-030210	SIDE STAND SPRING ASSY	边撑弹簧组合	1	
F03-1-V2-13	6AQV-030600-1001-0BP00	SIDE STAND (MAUD SPIRIT BLACK)	边撑焊接组合	1	
F03-1-V2-14	6080-030004	SIDE STAND BOLT	侧支架螺栓	1	
F03-1-V2-15	30204-080810	LOCK NUT M8	全金属六角法兰面锁紧螺母 M8	1	
F03-1-V2-16	30001-102170110	BOLT M10X1.25X170	螺栓 M10X1.25X170	1	
F03-1-V2-17	30001-102150110	BOLT M10x1.25x150	螺栓 M10X1.25X150	1	
F03-1-V2-18	6AQV-030093-1000	INNER HEX SCREW	内六角螺钉	1	
F03-1-V2-19	6NT1-000292	NUT M18	开槽圆螺母 M18	1	
F03-1-V2-20	6AQV-030092-1000	ADJUSTING SCREW, ENGINE	发动机调节螺套	1	
F03-1-V2-21	6AQV-030004-1000	BUSHING, ENGINE	发动机安装套	2	
F03-1-V2-22	6WWV-030011-5000	INNER HEX SCREW M10x45	内六角螺钉M10X45	1	
F03-1-V2-23	30006-060012810	BOLT M6X12	螺栓 M6X12	5	ALT:- 30006-060012870
F03-1-V2-24	30006-060016810	BOLT M6X16	螺栓 M6X16	2	ALT:- 30006-060016870
F03-1-V2-25	6WWV-030019-5000	CUSHION SLEEVE	缓冲橡胶套	2	
F03-1-V2-26	9060-180029	RADIATOR SLEEVE TUBE	散热器缓冲胶套套管	2	
F03-1-V2-27	6AQV-030030-3000	ABS BRACKET	ABS安装座	1	
F03-1-V2-28	6AQV-030040-1000	FRONT BRACKET, FUEL TANK	油箱前安装座	1	
F03-1-V2-29	6AQV-031000-1005-10-0BP00	FRONT FRAME ASSY (MAUD SPIRIT BLACK)	主车架焊接组件	1	
F03-1-V2-30	30006-080020810	BOLT M8X20	螺栓 M8X20	2	
F03-1-V2-31	6AQV-030007-1001	BRACKET, BRAKE FLUID RESERVOIR	油杯安装座	1	
F03-1-V2-32	6AQV-030003-1000	ADAPTER BRACKET, CANSITER	炭罐转接板	1	
F03-1-V2-33	30204-102810	NUT M10X1.25	螺母 M10X1.25	2	
F03-1-V2-34	6KJC-190012-8000	VEHICLE PLATE	车辆铭牌	1	
F03-1-V2-35	30902-0401320	RIVET GB/T12618_4.2X8	抽芯铆钉 GB/T12618_4.2X8	2	

F03-2 车架-2 FRAME-2

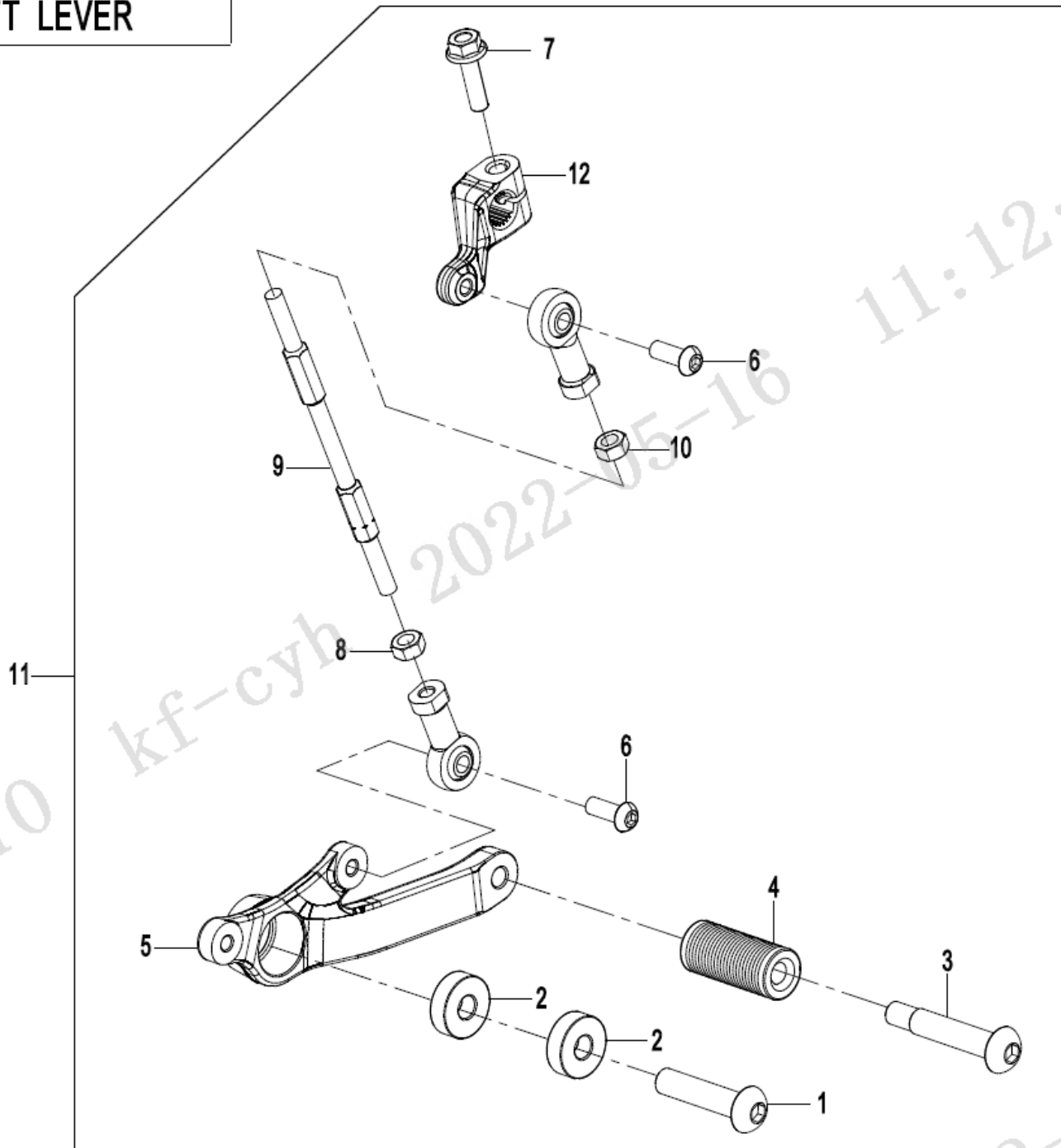
F03车架总成/F03 FRAME ASSY



Item No.	Parts Number	Parts Name(EN)	Parts Name(CN)	Qty	Remarks
F03-2-01	6GU#-030007-6000	REAR FRAME BOLT	副车架安装螺栓	4	
F03-2-02	6AQV-032000-1003-0BP00	REAR FRAME ASSY	副车架焊接组合	1	
F03-2-03	6AQV-030017-1000	BRACKET, ROLL-OVER SENSOR	侧倾传感器安装支架	1	
F03-2-04	30006-050020810	BOLT M5X20	螺栓 M5X20	2	

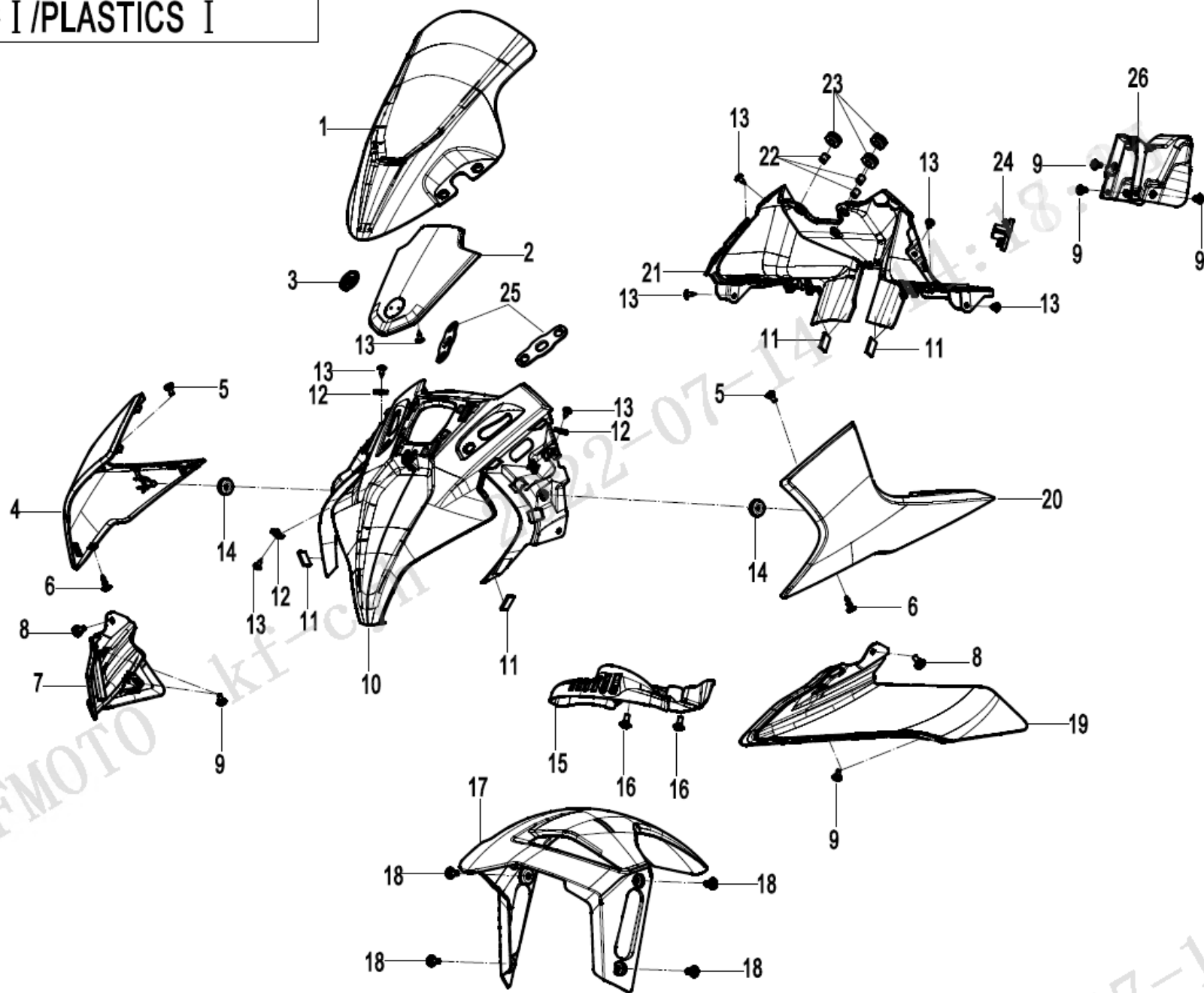
F03-3 变档杆 GEARSHIFT LEVER

变档杆/GEARSHIFT LEVER



Item No.	Parts Number	Parts Name(EN)	Parts Name(CN)	Qty	Remarks
F03-3-01	30121-080025160	SCREW M8X25	螺钉 M8X25	1	
F03-3-02	30400-00880	BEARING 8x22x7	滚动轴承 8X22X7	2	
F03-3-03	6NQ#-140104-6002	PEDAL BOLT	踏杆螺栓	1	
F03-3-04	6GUV-140101-6000	RUBBER SLEEVE, PEDAL	踏杆胶套	1	
F03-3-05	6AQV-141030-1000	SHIFT PEDAL	换挡踏板组合	1	
F03-3-06	30121-060016700	SCREW M6X16	螺钉 M6X16	2	
F03-3-07	30006-060022810	BOLT M6X22	螺栓 M6X22	1	
F03-3-08	30200-060810	NUT M6	螺母 M6	1	
F03-3-09	6AQV-141021-1000	MIDDLE CONNECTING ROD	中间连杆	1	
F03-3-10	30200-060810	NUT	螺母	2	
F03-3-11	6AQV-141000-1001	GEARSHIFT LEVER CONNECTING ASSY	换挡杆连接组合	1	
F03-3-12	6AQV-141010-1000	SHIFT ROCKER ARM	换挡摇臂	1	

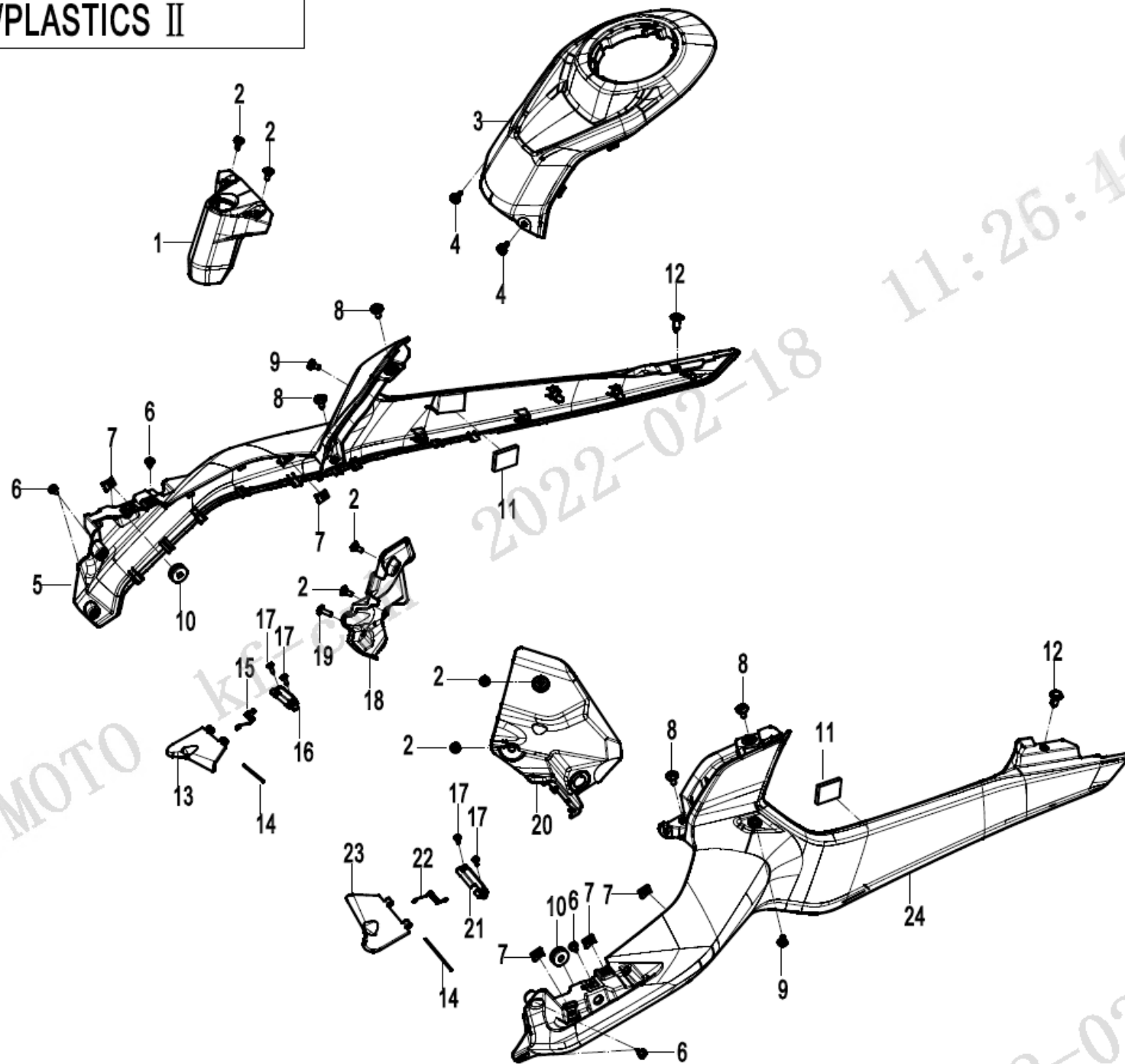
塑料件 I / PLASTICS I



2022-07-14

Item No.	Parts Number	Parts Name(EN)	Parts Name(CN)	Qty	Remarks
F04-1-01	6AQV-040101-1001	WINDSHIELD	挡风玻璃	1	
F04-1-02	6AQV-040201-1000	UPPER PRESS COVER, HEADLIGHT	前大灯上盖板	1	
F04-1-03	6KMV-190001-8500	DECO PLATE, WINDSHIELD	风挡玻璃装饰牌	1	
F04-1-04	6AQV-040206-1000-0HC00	RH GUARD, HEADLIGHT (VELOCITY GREY)	大灯右护罩	1	
F04-1-04	6AQV-040206-1000-0VE00	RH GUARD, HEADLIGHT (NEBULA WHITE)	大灯右护罩	1	
F04-1-05	6WWV-046502-5000	STEPPED SCREW M5	M5组合台阶螺钉	2	
F04-1-06	8080-041130	EXPANSION RIVET ASSY	塑料膨胀螺钉组合	2	ALT:- 8080-041131, 8080-041132
F04-1-07	6AQV-040204-1002-0RM00	RH WING (MAGMA RED)	右定风翼	1	
F04-1-08	6WWV-047102-5000	INNER HEX SCREW M5x14	M5x14内六角螺钉	2	
F04-1-09	6WWV-046502-5000	STEPPED SCREW M5	M5组合台阶螺钉	7	
F04-1-10	6AQV-040202-1001-0BU00	HEADLIGHT PANEL (MAUD SPIRIT BLACK)	大灯面板	1	
F04-1-11	6KM#-160420-8001	SPONGE MAT	长方形海绵垫	6	
F04-1-12	8080-000002	CLIP NUT ST4.8	夹板ST4.8	3	
F04-1-13	30110-481130010	SELF-TAPPING SCREW ST4.8X13	自攻螺钉 ST4.8X13	10	
F04-1-14	A000-040302	RUBBER DAMPER	油箱外护罩缓冲橡胶	2	
F04-1-15	6AQV-050004-1000	GUARD, LOWER TRIPLE CLAMP	下联板护罩	1	
F04-1-16	6WWV-046602-5000	INNER HEX STEPPED SCREW M6x14	M6x14内六角台阶螺钉	2	
F04-1-17	6AQV-050009-1001-0D000	FRONT FENDER (ZIRCON BLACK)	前挡泥板本体	1	FOR BLACK BIKE
F04-1-17	6AQV-050009-1001-0BM00	FRONT FENDER (NEBULA BLACK)	前挡泥板本体	1	FOR WHITE BIKE
F04-1-18	6WWV-046602-5000	INNER HEX STEPPED SCREW M6x14	M6x14内六角台阶螺钉	4	
F04-1-19	6AQV-040203-1002-0RM00	LH WING (MAGMA RED)	左定风翼	1	
F04-1-20	6AQV-040205-1000-0HC00	LH GUARD, HEADLIGHT (VELOCITY GREY)	大灯左护罩	1	
F04-1-20	6AQV-040205-1000-0VE00	LH GUARD, HEADLIGHT (NEBULA WHITE)	大灯左护罩	1	
F04-1-21	6AQV-040301-1001	DASHBOARD	仪表台	1	
F04-1-22	6090-040303	BUSHING	衬套	3	
F04-1-23	6090-040302	CUSHION SLEEVE	缓冲胶套	3	
F04-1-24	6AQV-041117-1002	USB PLUG COVER	USB堵盖	1	
F04-1-25	6AQV-041115-1000	RUBBER GASKET, HEADLIGHT PANEL	大灯面板胶垫	2	
F04-1-26	6AQV-040302-1001	REAR GUARD, DASHBOARD	仪表台尾罩	1	

塑料件 II / PLASTICS II

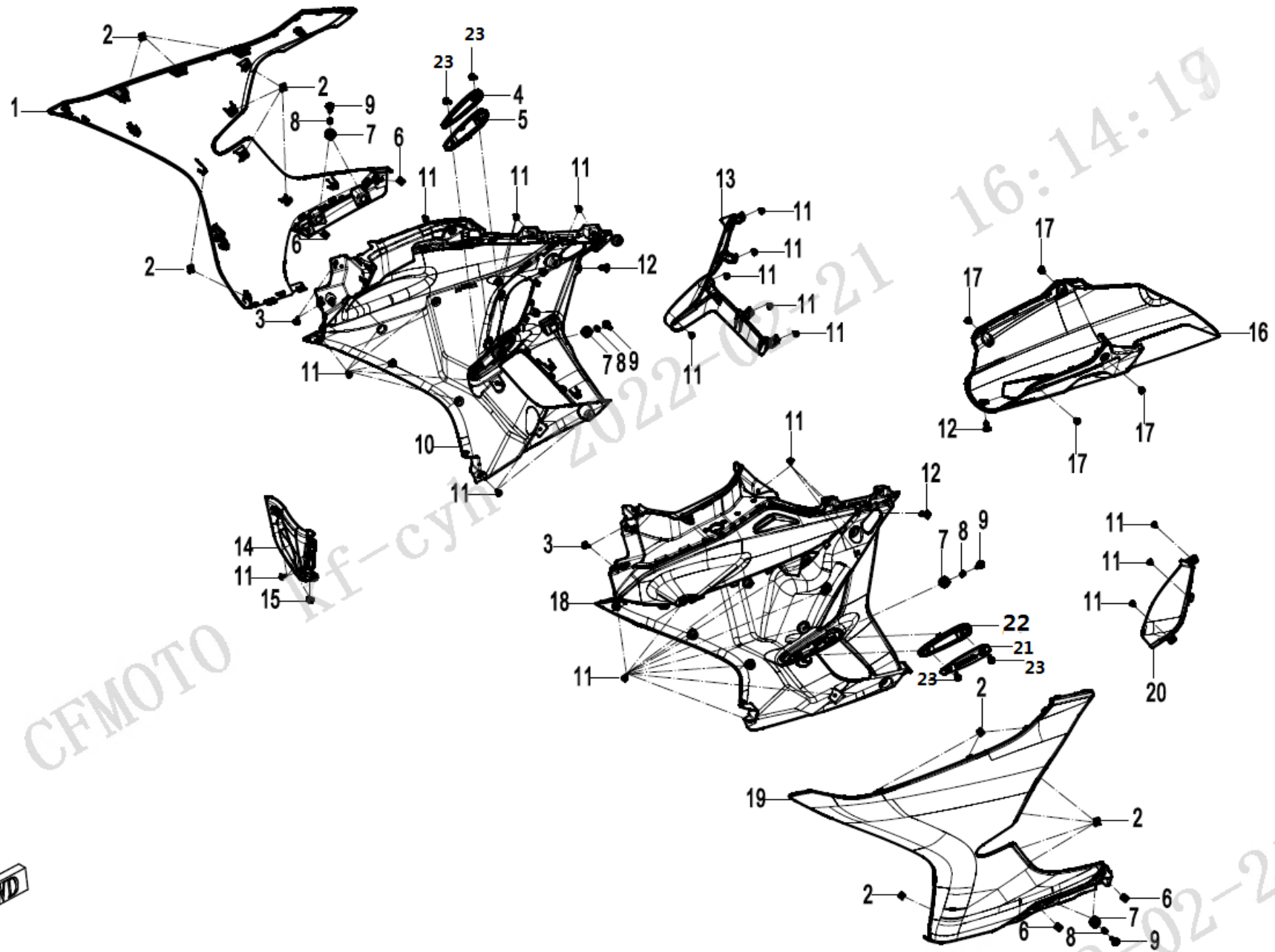


2022-02-18 11:26:49

2022-02-18

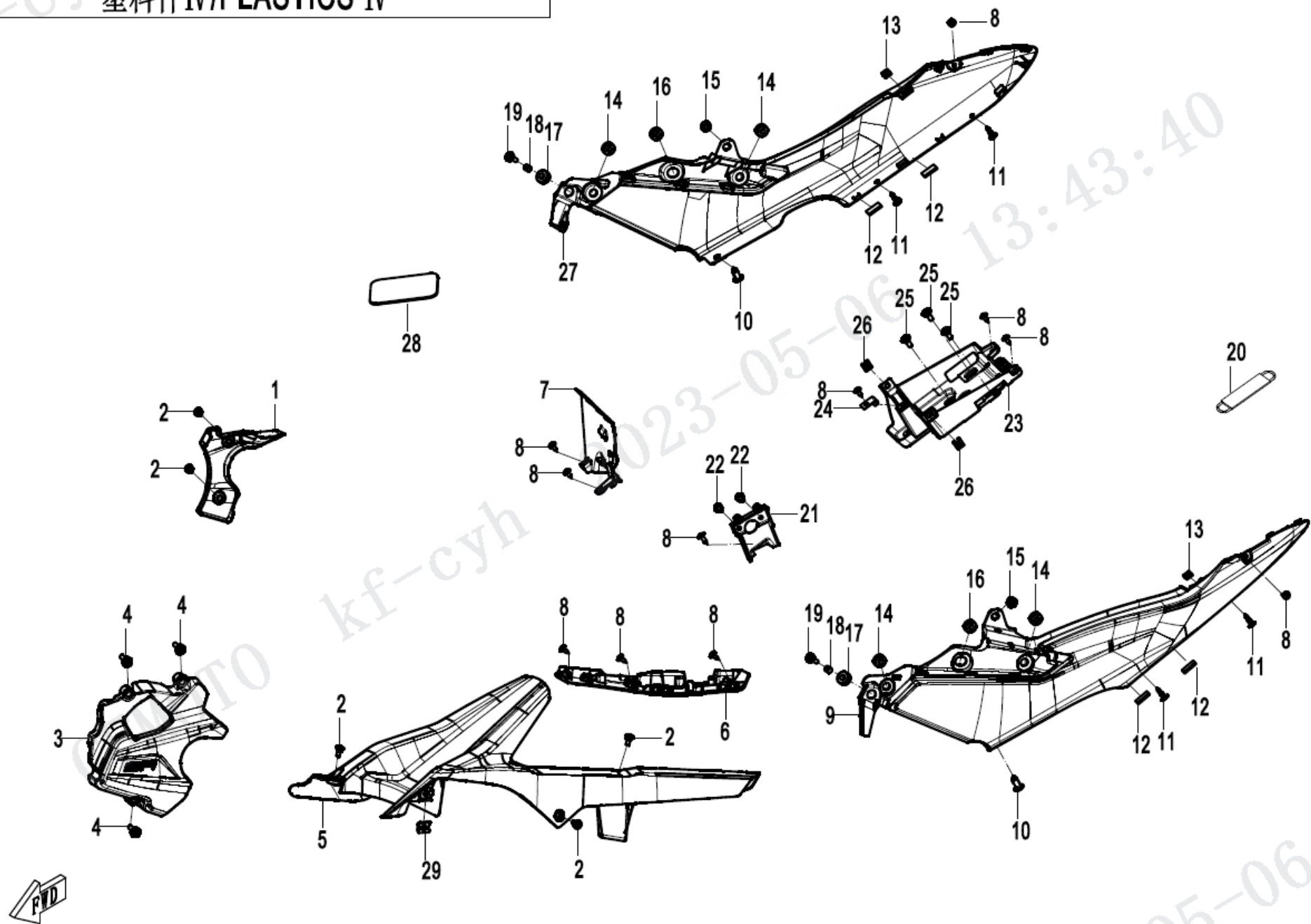
Item No.	Parts Number	Parts Name(EN)	Parts Name(CN)	Qty	Remarks
F04-2-01	6AQV-041111-1001	IGNITION LOCK GUARD	点火锁罩	1	
F04-2-02	6WWV-046502-5000	STEPPED SCREW M5	M5组合台阶螺钉	6	
F04-2-03	6AQV-040403-1002	FUEL TANK UPPER GUARD	油箱上护罩	1	
F04-2-04	8080-041130	EXPANSION RIVET ASSY	塑料膨胀螺钉组合	2	ALT:- 8080-041131, 8080-041132
F04-2-05	6AQV-040402-1001-0D000	RH GUARD, FUEL TANK (ZIRCON BLACK)	油箱右护罩	1	
F04-2-05	6AQV-040402-1001-0VE00	RH GUARD, FUEL TANK (NEBULA WHITE)	油箱右护罩	1	
F04-2-06	30110-481130010	SELF-TAPPING SCREW ST4.8X13	自攻螺钉 ST4.8X13	6	
F04-2-07	8080-000002	CLIP NUT ST4.8	夹板ST4.8	6	
F04-2-08	6WWV-046701-5000	SCREW	M6×12内六角螺钉	4	
F04-2-09	6WWV-046502-5000	STEPPED SCREW M5	M5组合台阶螺钉	2	
F04-2-10	A000-040302	RUBBER DAMPER	油箱外护罩缓冲橡胶	2	
F04-2-11	6NT1-041510	BUCKLE ASSY	蘑菇搭扣组合	2	
F04-2-12	9060-040310	PLASTIC CLIPS	塑料卡组合	2	
F04-2-13	6AQV-041110-1000	RH FLIP COVER	右翻盖	1	
F04-2-14	6AQV-041112-1000	SHAFT	转轴	2	
F04-2-15	6AQV-041114-1000	RH SPRING	右扭簧	1	
F04-2-16	6AQV-041108-1000	RH HINGE	右铰链	1	
F04-2-17	30110-350130010	SCREW ST3.5X13	自攻螺钉 ST3.5X13	4	
F04-2-18	6AQV-041106-1001	RH DECO COVER, STEM	立管右装饰盖	1	
F04-2-19	6WWV-047102-5000	INNER HEX SCREW M5x14	M5×14内六角螺钉	2	
F04-2-20	6AQV-041105-1001	LH DECO COVER, STEM	立管左装饰盖	1	
F04-2-21	6AQV-041107-1000	LH HINGE	左铰链	1	
F04-2-22	6AQV-041113-1000	LH SPRING	左扭簧	1	
F04-2-23	6AQV-041109-1000	LH FLIP COVER	左翻盖	1	
F04-2-24	6AQV-040401-1001-0D000	LH GUARD, FUEL TANK (ZIRCON BLACK)	油箱左护罩	1	
F04-2-24	6AQV-040401-1001-0VE00	LH GUARD, FUEL TANK (NEBULA WHITE)	油箱左护罩	1	

塑料件III/PLASTICS III



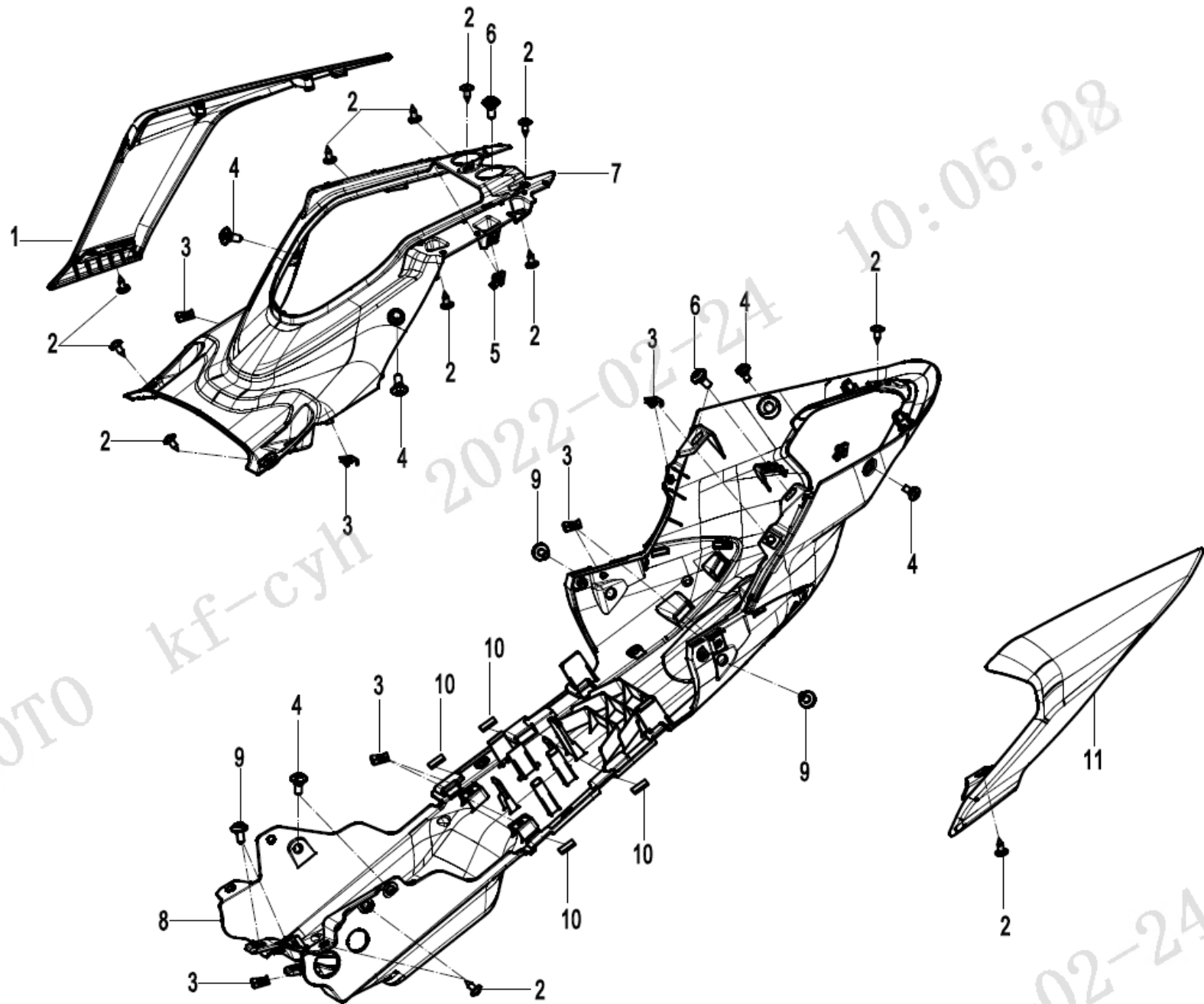
Item No.	Parts Number	Parts Name(EN)	Parts Name(CN)	Qty	Remarks
F04-3-01	6AQV-040504-1003-0D000	RADIATOR RH PANEL (ZIRCON BLACK)	散热器右护板	1	
F04-3-01	6AQV-040504-1003-0VE00	RADIATOR RH PANEL (NEBULA WHITE)	散热器右护板	1	
F04-3-02	8080-000002	CLIP NUT ST4.8	夹板ST4.8	17	
F04-3-03	6WWV-046602-5000	INNER HEX STEPPED SCREW M6x14	M6x14内六角台阶螺钉	4	
F04-3-04	6AQV-040510-1000-0D000	RH DECO COVER, RADIATOR PANEL (ZIRCON BLACK)	散热器护板右装饰盖_锆石黑	1	
F04-3-05	6AQV-040518-1000-0RM00	BIG DECO COVER, RH RADIATOR PANEL (MAGMA RED)	右散热器护板大装饰盖	1	
F04-3-06	6KM#-040081-8000-M1	NUT CLIP M5	M5螺母夹	4	
F04-3-07	6090-040302	CUSHION SLEEVE	缓冲胶套	6	
F04-3-08	6090-040303	BUSHING	衬套	6	
F04-3-09	6WWV-046902-5000	INNER HEX SCREW M6x20	M6x20内六角螺钉	6	
F04-3-10	6AQV-040502-1003	RH INNER PANEL, RADIATOR	散热器右内护板	1	
F04-3-11	30110-481130070	SELF-TAPPING SCREW	自攻螺钉	39	
F04-3-12	9060-040310	PLASTIC CLIPS	塑料卡组合	3	
F04-3-13	6AQV-040506-1000-0BU00	RH DEFLECTOR, RADIATOR (MAUD SPIRIT BLACK)	散热器右导风罩	1	
F04-3-14	6AQV-040901-1000	FRONT GUARD, ENGINE	发动机前护罩	1	
F04-3-15	6KM#-160420-8001	SPONGE MAT	长方形海绵垫	2	
F04-3-16	6AQV-040902-1003	ENGINE BASE PLATE	发动机底板	1	
F04-3-17	6WWV-046502-5000	STEPPED SCREW M5	M5组合台阶螺钉	4	
F04-3-18	6AQV-040501-1003	LH INNER PANEL, RADIATOR	散热器左内护板	1	
F04-3-19	6AQV-040503-1003-0D000	RADIATOR LH PANEL (ZIRCON BLACK)	散热器左护板	1	
F04-3-19	6AQV-040503-1003-0VE00	RADIATOR LH PANEL (NEBULA WHITE)	散热器左护板	1	
F04-3-20	6AQV-040505-1000-0BU00	LH DEFLECTOR, RADIATOR (MAUD SPIRIT BLACK)	散热器左导风罩	1	
F04-3-21	6AQV-040509-1000-0D000	LH DECO COVER, RADIATOR PANEL (ZIRCON BLACK)	散热器护板左装饰盖_锆石黑	1	
F04-3-22	6AQV-040508-1001-0RM00	BIG DECO COVER, LH RADIATOR PANEL (MAGMA RED)	左散热器护板大装饰盖	1	
F04-3-23	6WWV-047102-5000	INNER HEX SCREW M5x14	M5x14内六角螺钉	4	

塑料件IV/PLASTICS IV



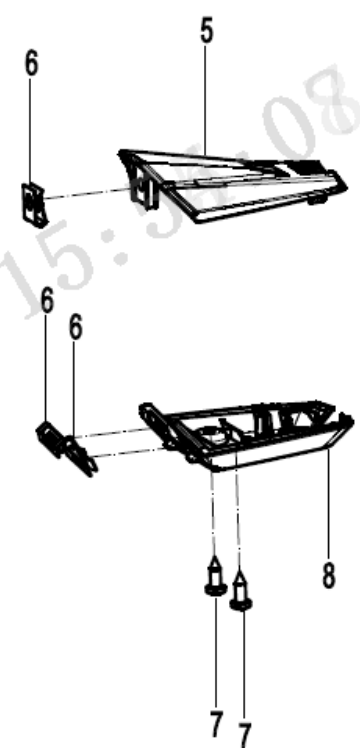
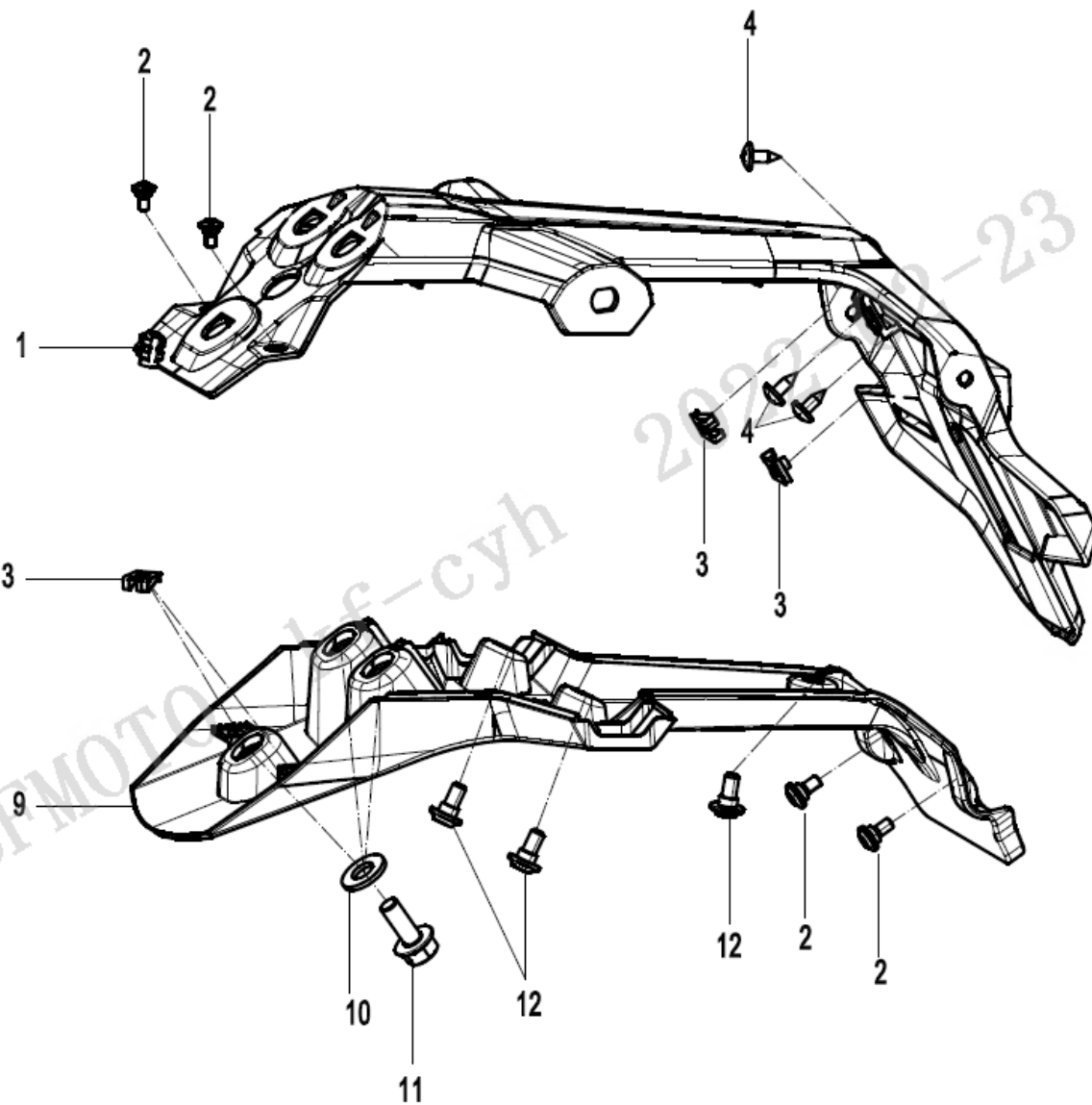
Item No.	Parts Number	Parts Name(EN)	Parts Name(CN)	Qty	Remarks
F04-4-V3-01	6AQV-041103-1000	RH DECO COVER, FRAME	车架右装饰盖	1	
F04-4-V3-02	6WWV-046502-5000	STEPPED SCREW M5	M5组合台阶螺钉	5	
F04-4-V3-03	6AQV-000102-1002	SMALL SPROCKET GUARD	小链轮罩	1	
F04-4-V3-04	6WWV-047002-5000	INNER HEX SCREW M6x25	M6x25内六角螺钉	3	
F04-4-V3-05	6AQV-060401-1000	PANEL, REAR FORK	后平叉护板	1	
F04-4-V3-06	6AQV-060304-1000	WIRE CLIP, BRAKE FLUID HOSE	制动油管固定夹	1	
F04-4-V3-07	6AQV-041118-1002	HEAT INSULATOR, BATTERY	电池隔热胶垫	1	
F04-4-V3-08	30110-481130070	SELF-TAPPING SCREW	自攻螺钉	11	
F04-4-V3-09	6AQV-040701-1002	LH VEHICLE COVER	左车体盖	1	
F04-4-V3-10	9060-040310	PLASTIC CLIPS	塑料卡组合	2	
F04-4-V3-11	8080-041130	EXPANSION RIVET ASSY	塑料膨胀螺钉组合	4	ALT:- 8080-041131, 8080-041132
F04-4-V3-12	6KM#-160420-8001	SPONGE MAT	长方形海绵垫	4	
F04-4-V3-13	8080-000002	CLIP NUT ST4.8	夹板ST4.8	2	
F04-4-V3-14	A000-040302	RUBBER DAMPER	油箱外护罩缓冲橡胶	4	
F04-4-V3-15	6WWV-046701-5000	SCREW	M6x12内六角螺钉	2	
F04-4-V3-16	8080-040064	FRONT FENDER DAMPER	前围缓冲橡胶套	2	
F04-4-V3-17	6090-040302	CUSHION SLEEVE	缓冲胶套	2	
F04-4-V3-18	6090-040303	BUSHING	衬套	2	
F04-4-V3-19	6WWV-046902-5000	INNER HEX SCREW M6x20	M6x20内六角螺钉	2	
F04-4-V3-20	6060-150700	TIE BAND, BATTERY	蓄电池拉带	1	
F04-4-V3-21	6AQV-041102-1000	SEAT LOCK GUARD	坐垫锁罩	1	
F04-4-V3-22	6WWV-047102-5000	INNER HEX SCREW M5x14	M5x14内六角螺钉	2	
F04-4-V3-23	6AQV-041101-1001	BATTERY BOX	电池盒	1	
F04-4-V3-24	A000-030005	TIE BAND BRACKET, TOOLS KIT	随车工具拉带支架	1	
F04-4-V3-25	6WWV-046602-5000	INNER HEX STEPPED SCREW M6x14	M6x14内六角台阶螺钉	3	
F04-4-V3-26	6KM#-040081-8000-M1	NUT CLIP M5	M5螺母夹	2	
F04-4-V3-27	6AQV-040702-1002	RH VEHICLE COVER	右车体盖	1	
F04-4-V3-28	6AQV-041116-1000	FRAME STICKER	车架胶贴	1	
F04-4-V3-29	8030-040800-00001	NUT CLIP M6	M6螺母夹	1	

塑料件 V/PLASTICS V



Item No.	Parts Number	Parts Name(EN)	Parts Name(CN)	Qty	Remarks
F04-5-01	6AQV-040704-1001-0HC00	RH GUARD, TAIL LIGHT (VELOCITY GREY)	尾灯右护罩	1	
F04-5-01	6AQV-040704-1001-0VE00	RH GUARD, TAIL LIGHT (NEBULA WHITE)	尾灯右护罩	1	
F04-5-02	30110-481130070	SELF-TAPPING SCREW	自攻螺钉	13	
F04-5-03	8080-000002	CLIP NUT ST4.8	夹板ST4.8	9	
F04-5-04	6WWV-046502-5000	STEPPED SCREW M5	M5组合台阶螺钉	6	
F04-5-05	6KM#-040081-8000-M1	NUT CLIP M5	M5螺母夹	2	
F04-5-06	6WWV-046602-5000	INNER HEX STEPPED SCREW M6x14	M6x14内六角台阶螺钉	3	
F04-5-07	6AQV-040706-1001	LOWER PANEL, SEAT	坐垫下护板	1	
F04-5-08	6AQV-040705-1001	FRAME BASE PLATE	车架底板	1	
F04-5-09	6WWV-046702-5000	INNER HEX SCREW M6x12	M6x12内六角螺钉	4	
F04-5-10	6KM#-160420-8001	SPONGE MAT	长方形海绵垫	4	
F04-5-11	6AQV-040703-1001-0HC00	LH GUARD, TAIL LIGHT (VELOCITY GREY)	尾灯左护罩	1	
F04-5-11	6AQV-040703-1001-0VE00	LH GUARD, TAIL LIGHT (NEBULA WHITE)	尾灯左护罩	1	

塑料件VI/PLASTICS VI

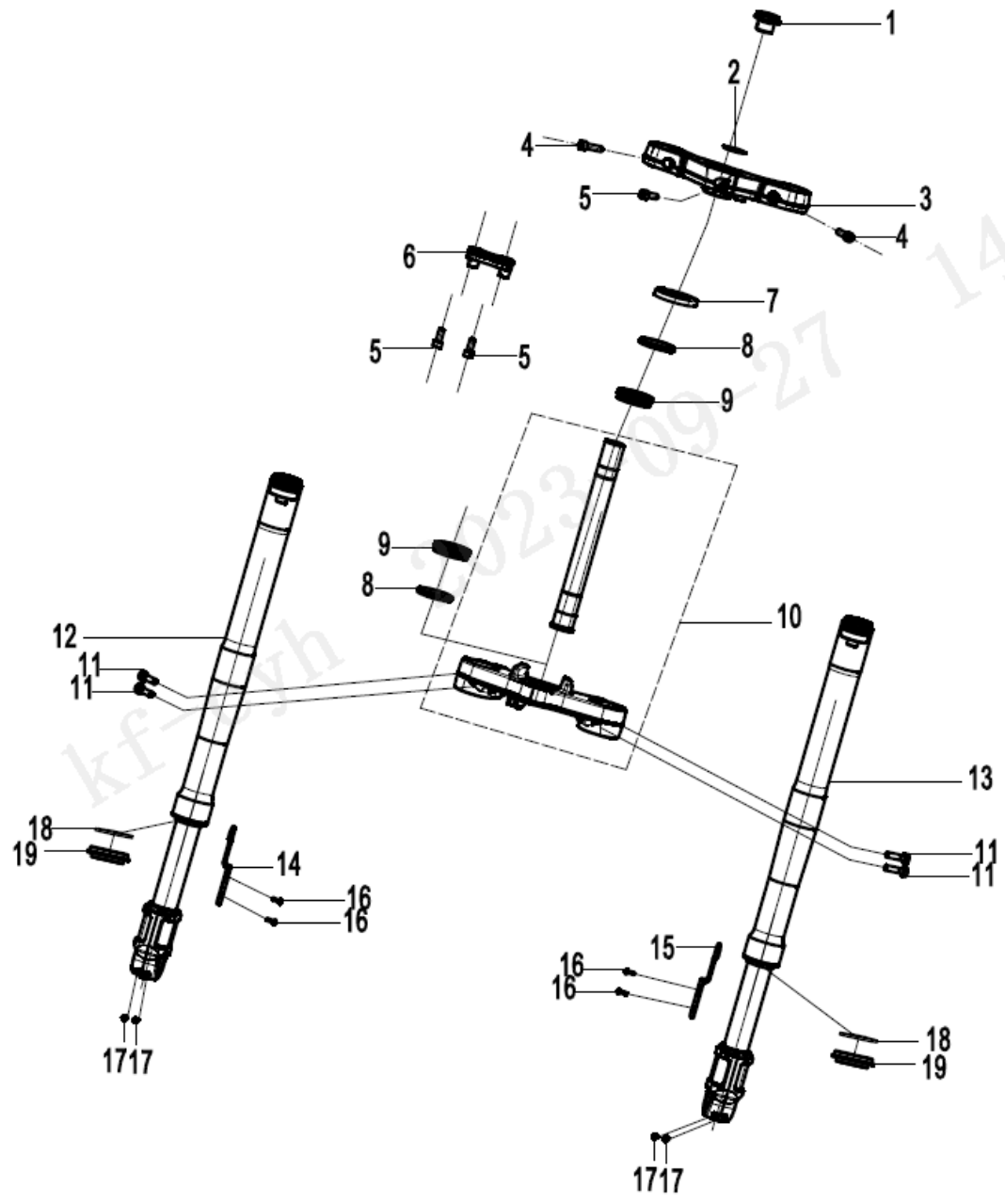


2-02-23

Item No.	Parts Number	Parts Name(EN)	Parts Name(CN)	Qty	Remarks
F04-6-01	6AQV-040801-1000	UPPER PART, REAR FENDER	后挡泥板上体	1	
F04-6-02	6WWV-046502-5000	STEPPED SCREW M5	M5组合台阶螺钉	4	
F04-6-03	6KM#-040081-8000-M1	NUT CLIP M5	M5螺母夹	4	
F04-6-04	30110-481130070	SELF-TAPPING SCREW	自攻螺钉	3	
F04-6-05	6AQV-040803-1001	UPPER COVER, LICENSE LIGHT	牌照灯上盖	1	
F04-6-06	8080-000002	CLIP NUT ST4.8	夹板ST4.8	3	
F04-6-07	30110-421130010	SELF-TAPPING SCREW ST4.2X13	自攻螺钉 ST4.2X13	2	
F04-6-08	6AQV-040804-1001	LOWER COVER, LICENSE LIGHT	牌照灯下盖	1	
F04-6-09	6AQV-040802-1000	LOWER PART, REAR FENDER	后挡泥板下体	1	
F04-6-10	30306-100112	WASHER 10	垫圈 10	3	
F04-6-11	30006-080020810	BOLT M8X20	螺栓 M8X20	3	
F04-6-12	6WWV-046602-5000	INNER HEX STEPPED SCREW M6x14	M6×14内六角台阶螺钉	3	

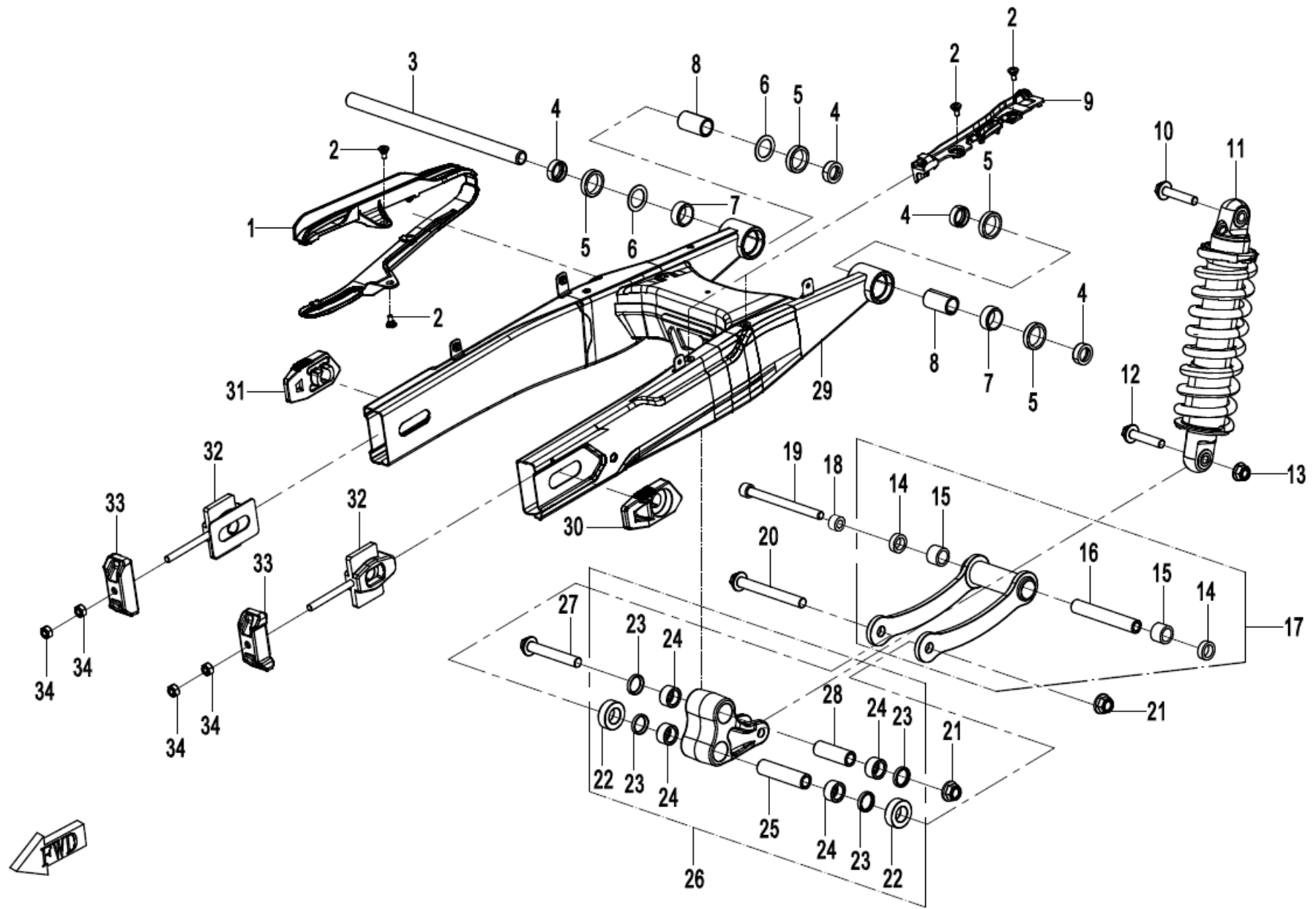
F05-V1 前悬架 FRONT SUSPENSION

前悬架/Front SUSPENSION



Item No.	Parts Number	Parts Name(EN)	Parts Name(CN)	Qty	Remarks
F05-V1-01	6L30-050002	LOCK SCREW, UPPER TRIPLE CLAMP	上联板紧固螺钉	1	
F05-V1-02	6WWV-050005-5000	WASHER	垫圈	1	
F05-V1-03	6AQV-050001-1001-0VR00	UPPER TRIPLE CLAMP (MERCURY SILVER)	上连板	1	
F05-V1-04	30102-080030860	SCREW M8X30	螺钉 M8X30	2	
F05-V1-05	30102-080020810	SCREW M8X20	螺钉 M8X20	3	
F05-V1-06	6AQV-050003-1001	HEAD LOCK BRACKET 1	车头锁安装支架 I	1	
F05-V1-07	6L30-050003	DUST-PROOF COVER	防尘盖	1	
F05-V1-08	6AQV-050010-1000	ANTI-DUST RING	防尘圈组件	2	
F05-V1-09	6L30-050200	STEERING BEARING ASSY	转向轴承组合	2	
F05-V1-10	6AQV-0503A0	LOWER TRIPLE CLAMP	下联板组件	1	
F05-V1-11	6WWV-050011-5000	INNER HEX SCREW M8x30	内六角圆柱头螺钉M8x30	4	
F05-V1-12	6AQV-050600-1300-M2	FRONT RH SHOCK ABSORBER	前右减震器	1	
F05-V1-13	6AQV-050500-1300-M2	FRONT LH SHOCK ABSORBER	前左减震器	1	
F05-V1-14	6AQV-050030-1000	FRONT FENDER RH BRACKET	前挡泥板右安装座	1	
F05-V1-15	6AQV-050020-1000	FRONT FENDER LH BRACKET	前挡泥板左安装座	1	
F05-V1-16	30001-060012810	BOLT M6x12	螺栓 M6X12	4	
F05-V1-17	30102-080025700	SCREW M8x25	螺钉M8x25	4	
F05-V1-18	6AQV-050500-1000-30	OIL SEAL	油封	2	
F05-V1-19	6AQV-050500-1000-27	DUST CAP	防尘盖	2	

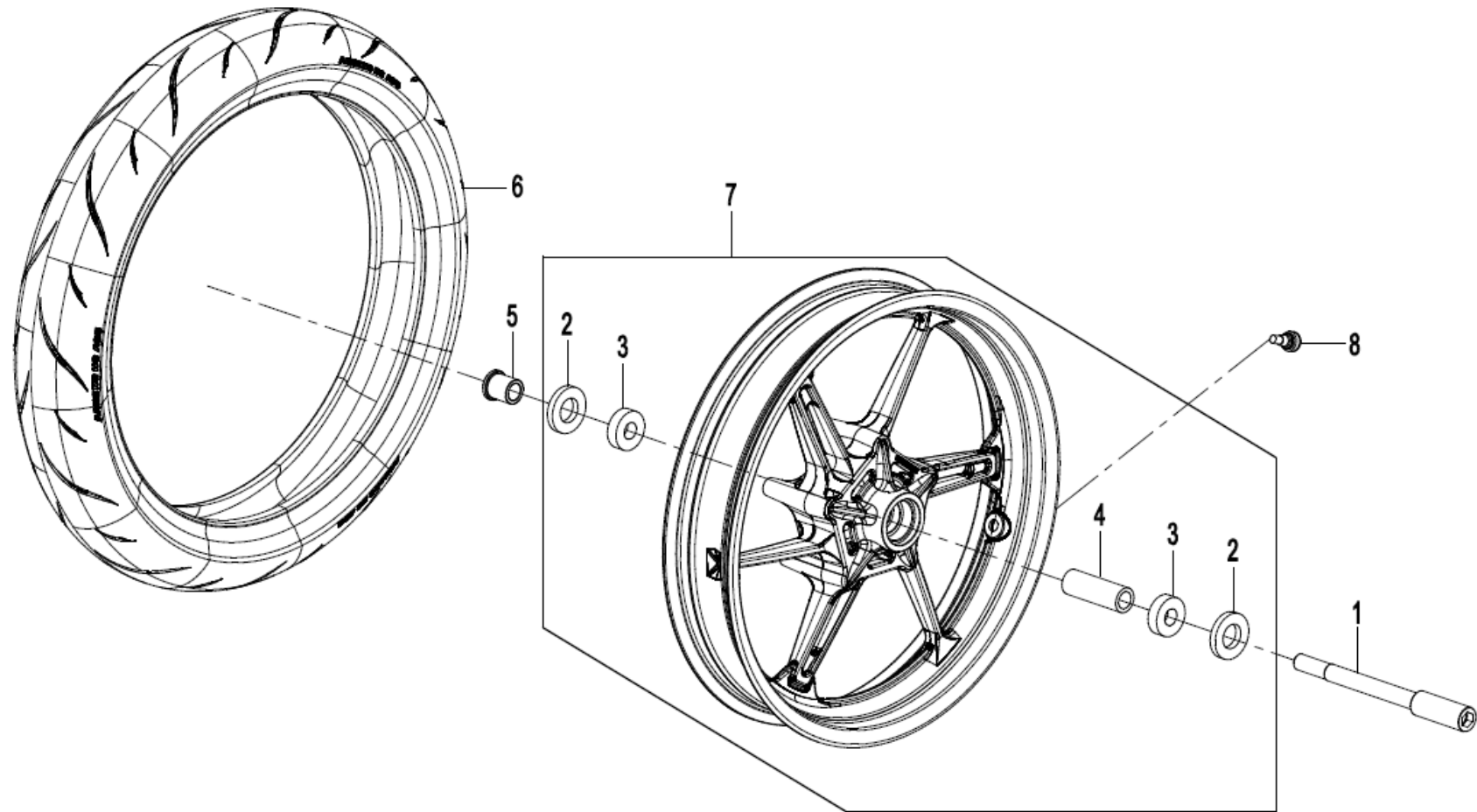
F06后悬架/REAR SUSPENSION



Item No.	Parts Number	Parts Name(EN)	Parts Name(CN)	Qty	Remarks
F06-V2-01	6AQV-060303-1000	CHAIN GUARD	链条护卡	1	
F06-V2-02	6WWV-046502-5000	STEPPED SCREW M5	M5组合台阶螺钉	4	
F06-V2-03	6AQV-060007-1000	REAR FORK SHAFT	后平叉轴	1	
F06-V2-04	6WWV-060030-5000-10	OIL SEAL	油封	4	
F06-V2-05	6WWV-060002-5000	BUSHING, REAR SWING ARM	后摇臂衬套	4	
F06-V2-06	6WWV-060004-5000	WASHER, REAR SWING ARM	后摇臂垫圈	2	
F06-V2-07	30403-02280	NEEDLE BEARING	滚针轴承	2	
F06-V2-08	6WWV-060003-5000	LINER, REAR SWING ARM	后摇臂衬管	2	
F06-V2-09	6AQV-060304-1000	WIRE CLIP, BRAKE FLUID HOSE	制动油管固定夹	1	
F06-V2-10	30006-102055110	BOLT	螺栓	1	
F06-V2-11	6AQV-060100-1002-M2	SHOCK ABSORBER	减震器	1	
F06-V2-12	6AQV-060004-1002	REAR SHOCK ABSORBER BOLT M10X50	后减震器螺栓M10X50	1	
F06-V2-13	30204-102810	NUT M10X1.25	螺母 M10X1.25	1	
F06-V2-14	6GU#-060302-6000-M1	OIL SEAL, TIE-ROD	拉杆组合油封	2	
F06-V2-15	30403-01680	NEEDLE BEARING	滚针轴承	2	
F06-V2-16	6AQV-060602-1001	TIE ROD ASSY BUSHING	拉杆焊接组合衬套	1	
F06-V2-17	6AQV-060600-1001	TIE ROD	拉杆组合	1	
F06-V2-18	6AQV-060005-1000	SPACER, TIE ROD	拉杆组合安装隔套	1	
F06-V2-19	6AQV-060009-1002	TIE ROD BOLT M10X130	拉杆螺栓M10X130	1	
F06-V2-20	30024-122110110	BOLT	螺栓	1	
F06-V2-21	30204-122810	NUT M12X1.25	螺母 M12X1.25	2	
F06-V2-22	6AQV-060504-1000	RETAINER	拉杆垫圈	2	
F06-V2-23	6AQV-060515-1000	A-SHAPE SWING ARM OIL SEAL	三角摇臂组合油封	4	
F06-V2-24	30403-01880	NEEDLE BEARING	滚针轴承	4	
F06-V2-25	6AQV-060503-1001	A-SHAPE SWING ARM LOWER BUSHING	三角摇臂下衬套	1	
F06-V2-26	6AQV-060550-1000	A-SHAPE SWING ARM ASSY	三角摇臂组合	1	
F06-V2-27	6AQV-060008-1002	A-SHAPE SWING ARM BOLT M12X80	三角摇臂螺栓M12X80	1	
F06-V2-28	6AQV-060502-1001	A-SHAPE SWING ARM UPPER BUSHING	三角摇臂上衬套	1	
F06-V2-29	6AQV-060300-1004-0BP00	REAR FORK ASSY (MAUD SPIRIT BLACK)	后平叉焊接组件	1	ALT:- 6AQV-060300-1003-0BP00
F06-V2-30	6AQV-060045-1001-0VR00	RH CHAIN ADJUSTING DECO BLOCK (MERCURY SILVER)	右链条调节装饰块	1	
F06-V2-31	6AQV-060044-1001-0VR00	LH CHAIN ADJUSTING DECO BLOCK (MERCURY SILVER)	左链条调节装饰块	1	
F06-V2-32	6AQV-060043-1000	CHAIN ADJUSTING BLOCK	链条调节块组件	2	
F06-V2-33	6AQV-060041-1000-0BP00	GUARD, CHAIN ADJUSTER (MAUD SPIRIT BLACK)	链条调节器档板	2	
F06-V2-34	30200-080810	NUT M8	螺母 M8	4	

F07 前轮 FRONT WHEEL

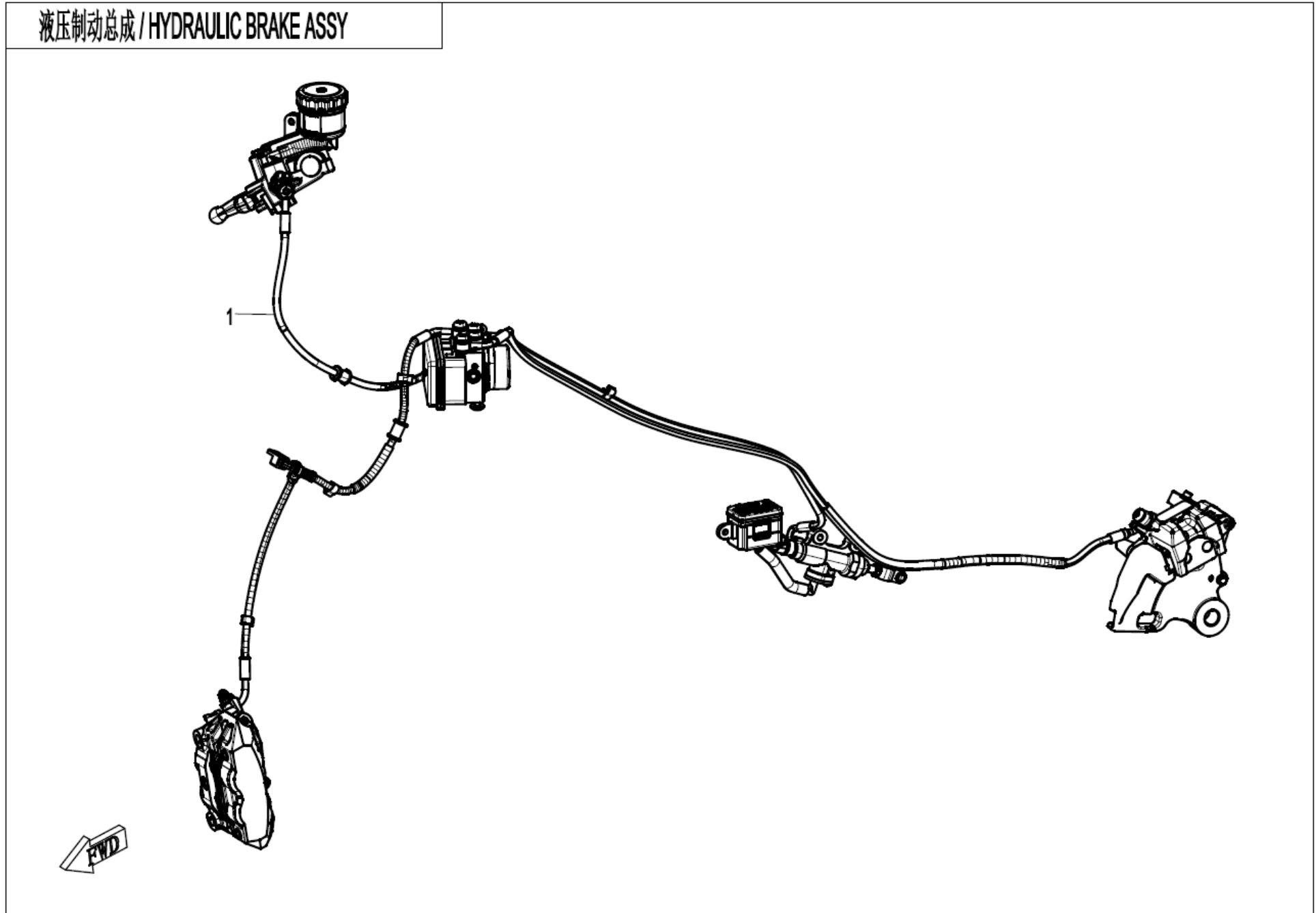
F07前轮杆/Front WHEEL



Item No.	Parts Number	Parts Name(EN)	Parts Name(CN)	Qty	Remarks
F07-01	6AQV-070003-1001	FRONT WHEEL SHAFT	前轮轴	1	ALT:- 6AQV-070003-1000
F07-02	6AQV-070200-1000-20	OIL SEAL	油封	2	
F07-03	30400-01785	BEARING	滚动轴承	2	
F07-04	6AQV-070202-1000-M1	MIDDLE SPACER, FRONT RIM	前轮辋中隔套	1	
F07-05	6AQV-070002-1000	FRONT WHEEL SHAFT BUSHING	前轮轴套	1	
F07-06	30705SH-177500	FRONT TIRE	轮胎	1	
F07-07	6AQV-070200-1300-M1-0BV00	FRONT RIM ASSY (MIDNIGHT BLACK)	前轮辋组合	1	FOR BLACK BIKE
F07-07	6AQV-070200-1300-M1-0RM00	FRONT RIM ASSY (MAGMA RED)	前轮辋组合	1	FOR WHITE BIKE
F07-08	6WWV-070030-5A00-M1	VALVE, INFLATION	气门嘴	1	

F08-B-1 制动总成 BRAKE SYSTEM

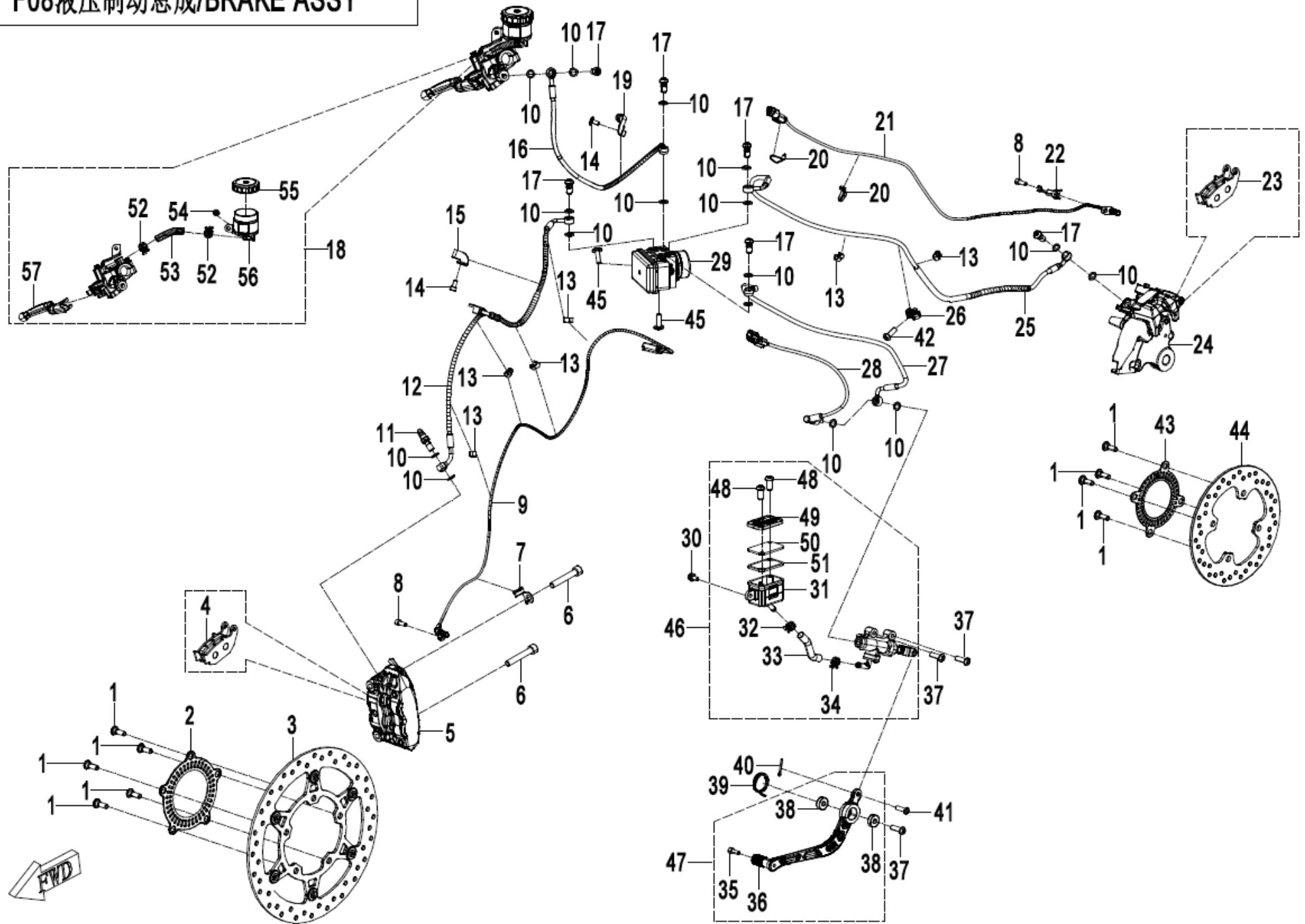
液压制动总成 / HYDRAULIC BRAKE ASSY



Item No.	Parts Number	Parts Name(EN)	Parts Name(CN)	Qty	Remarks
F08-B-1-01	6AQV-081000-1300	MAB HYDRAULIC BRAKE ASSY	MAB液压制动器总成	1	

F08-B-2 制动总成 BRAKE SYSTEM

F08液压制动总成/BRAKE ASSY

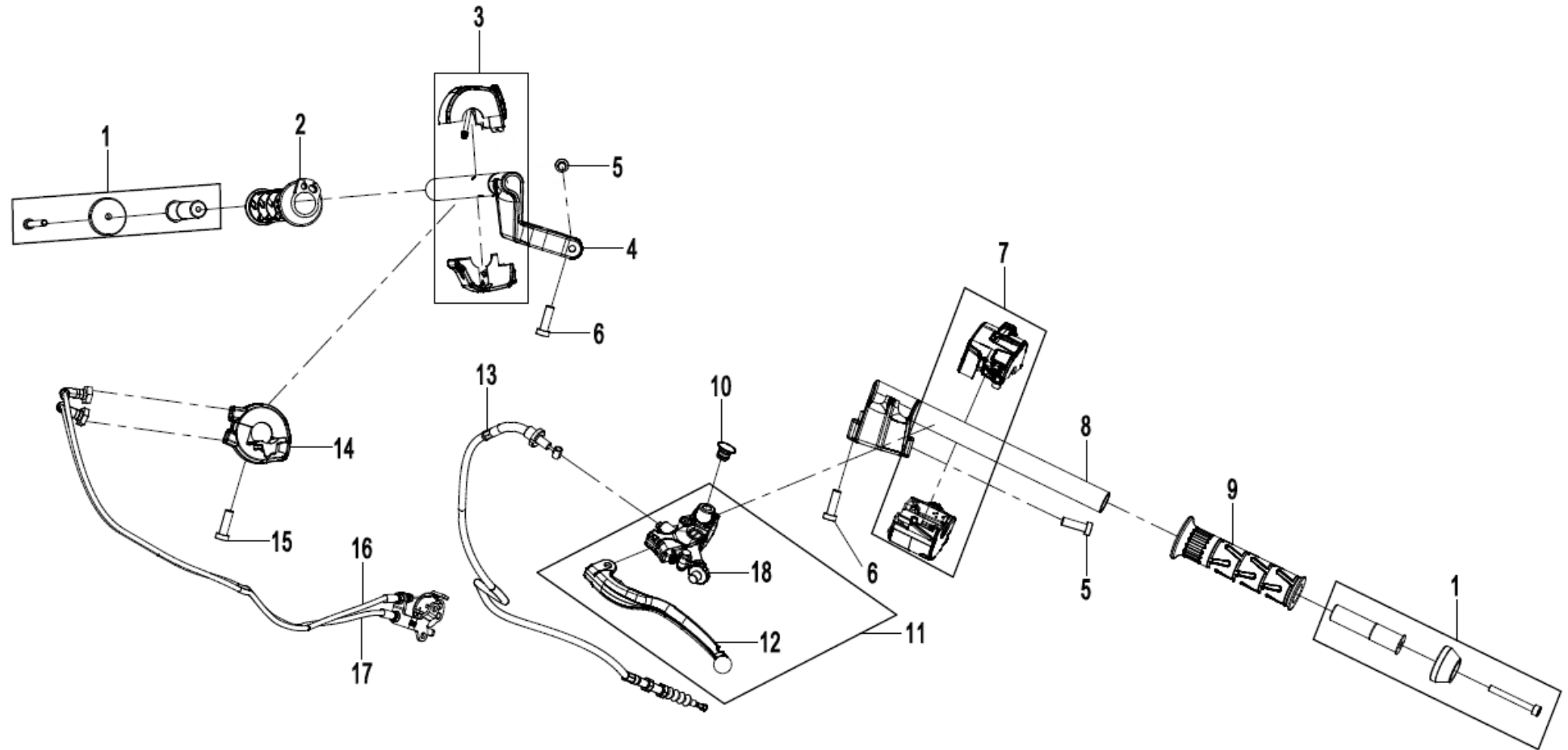


Item No.	Parts Number	Parts Name(EN)	Parts Name(CN)	Qty	Remarks
F08-B-2-01	6KJ0-080005	FRONT BRAKE DISC BOLT	前制动盘螺栓	9	
F08-B-2-02	6AQV-080002-1000	"FRONT GEAR RING	前齿圈	1	
F08-B-2-03	6AQV-080001-1000-M1	FRONT BRAKE DISC	前制动盘	1	
F08-B-2-04	6AQV-0812A1	FRONT BRAKE PAD ASSY	前制动片组合	1	
F08-B-2-05	6AQV-081210-1001-M1	FRONT BRAKE CALIPER, RH	右前制动钳体组合	1	
F08-B-2-06	30102-102060810	SCREW M10x1.25x60	螺钉 M10X1.25X60	2	
F08-B-2-07	6AQV-081002-1000	WIRE CLIP, FRONT SPEED SENSOR	前轮速传感器线夹	1	
F08-B-2-08	30102-060016870	SCREW M6x16	螺钉	2	
F08-B-2-09	6AQV-080004-1000-M1	FRONT SPEED SENSOR	前轮速传感器	1	
F08-B-2-10	6AQV-080102-1000-M1	WASHER	垫圈	16	
F08-B-2-11	6AQV-080007-1000-M1	BANJO BOLT 1	过油螺栓1	1	
F08-B-2-12	6AQV-081600-1001	FRONT BRAKE FLUID INLET HOSE	前制动进油管	1	
F08-B-2-13	6KJ0-080003-00001	"BRAKE HOSE CLIP	制动油管卡	6	
F08-B-2-14	A000-040702	INNER HEX SCREW M6x12	内六角螺钉M6x12	1	ALT:- 6KM#-040702-8000
F08-B-2-15	6AQV-081601-1002	WIRE CLIP, FLUID INLET HOSE	前制动进油管管夹	1	
F08-B-2-16	6AQV-081500-1000	FLUID OUTLET HOSE, FRONT BRAKE	前制动出油管	1	
F08-B-2-17	6AQV-080008-1000-M1	BANJO BOLT 2	过油螺栓II	6	
F08-B-2-18	6AQV-081100-1000-M1	FRONT BRAKE MASTER CYLINDER ASSY	前制动主泵组成	1	
F08-B-2-19	6AQV-081501-1002	WIRE CLIP, FLUID OUTLET HOSE	前制动出油管管夹	1	
F08-B-2-20	8010-150003	TIE 5X250	扎带 5X250	2	
F08-B-2-21	6L30-080020	SPEED SENSOR, FRONT WHEEL	前轮车速传感器	1	
F08-B-2-22	6AQV-081003-1000	WIRE CLIP, REAR SPEED SENSOR	后轮速传感器线夹	1	
F08-B-2-23	6KM0-0911B0	REAR BRAKE PAD ASSY	后制动片组合	1	
F08-B-2-24	6AQV-081710-1001-M1	REAR BRAKE CALIPER	后制动卡钳组成	1	
F08-B-2-25	6AQV-081900-1000	FLUID INLET HOSE, REAR BRAKE	后制动进油管	1	
F08-B-2-26	6L30-080006	WIRE CLIP 2, BRAKE FLUID HOSE	制动油管线夹II	1	
F08-B-2-27	6AQV-081800-1001	REAR BRAKE FLUID OUTLET HOSE	后制动出油管	1	
F08-B-2-28	6GUV-081070-5000-M1	REAR BRAKE LIGHT SWITCH	后制动灯开关	1	
F08-B-2-29	6AQV-081300-1500-M1	ABS CONTROLLER	ABS控制器	1	
F08-B-2-30	30006-060016810	BOLT M6X16 (SILVER)	螺栓 M6X16	1	ALT:- 30006-060016870
F08-B-2-31	6AQV-081410-1000-21	RESERVOIR TANK	油杯	1	
F08-B-2-32	6KM0-091215-20000	HOSE CLIP 1	油管夹I	1	
F08-B-2-33	6AQV-081410-1000-20	RESERVOIR TANK HOSE	油杯管组件	1	
F08-B-2-34	6KM0-091215-20000	CLIP	油管夹	1	

Item No.	Parts Number	Parts Name(EN)	Parts Name(CN)	Qty	Remarks
F08-B-2-35	30102-060016810	SCREW M6x16	螺钉 M6X16	1	
F08-B-2-36	6AQV-080301-1000	SUPPORTER	支撑柱	1	
F08-B-2-37	30121-080025160	SCREW M8X25	螺钉M8X25	3	
F08-B-2-38	30400-00880	BEARING 8x22x7	滚动轴承 8X22X7	2	
F08-B-2-39	6AQV-080400-1000	SPRING	扭簧	1	
F08-B-2-40	6AQV-081410-1000-27	COTTER PIN	开口销	1	
F08-B-2-41	6AQV-081410-1000-28	PIN SHAFT	销轴	1	
F08-B-2-42	6100-120005	INNER HEX SCREW M6x8	内六角螺钉M6x8	1	
F08-B-2-43	6NTG-080009	REAR GEAR RING	后齿圈	1	
F08-B-2-44	6AQV-080006-1000	REAR BRAKE DISC	后制动盘	1	
F08-B-2-45	A000-040703	INNER HEX SCREW M6X20	内六角螺钉M6x20	2	
F08-B-2-46	6AQV-081410-1002-M1	REAR BRAKE MASTER CYLINDER ASSY	后制动主泵组成	1	
F08-B-2-47	6AQV-080300-1000-0VR00	REAR BRAKE FOOT PEDAL ASSY (MERCURY SILVER)	后刹脚踏组合	1	
F08-B-2-48	6AQV-081410-1000-25	SCREW, RESERVOIR TANK COVER	油杯盖螺钉	2	
F08-B-2-49	6AQV-081410-1000-24	RESERVOIR TANK COVER	油杯盖	1	
F08-B-2-50	6AQV-081410-1000-23	BACKING PLATE, RESERVOIR TANK	油杯密封垫板	1	
F08-B-2-51	6AQV-081410-1000-22	GASKET, RESERVOIR TANK	油杯密封垫	1	
F08-B-2-52	6AQV-081110-1000-46	CLAMP	卡箍	2	
F08-B-2-53	6AQV-081110-1000-45	FLUID HOSE	油管	1	
F08-B-2-54	6AQV-081110-1001-35	FLUID RESERVOIR BOLT	油杯固定螺栓	1	
F08-B-2-55	6AQV-081110-1001-54	CAP, FLUID RESERVOIR	油杯盖	1	
F08-B-2-56	6AQV-081110-1000-53	RESERVOIR TANK	油杯	1	
F08-B-2-57	6AQV-081110-1000-47	BRAKE LEVER	制动手柄	1	

F10 转向系统 STEERING SYSTEM

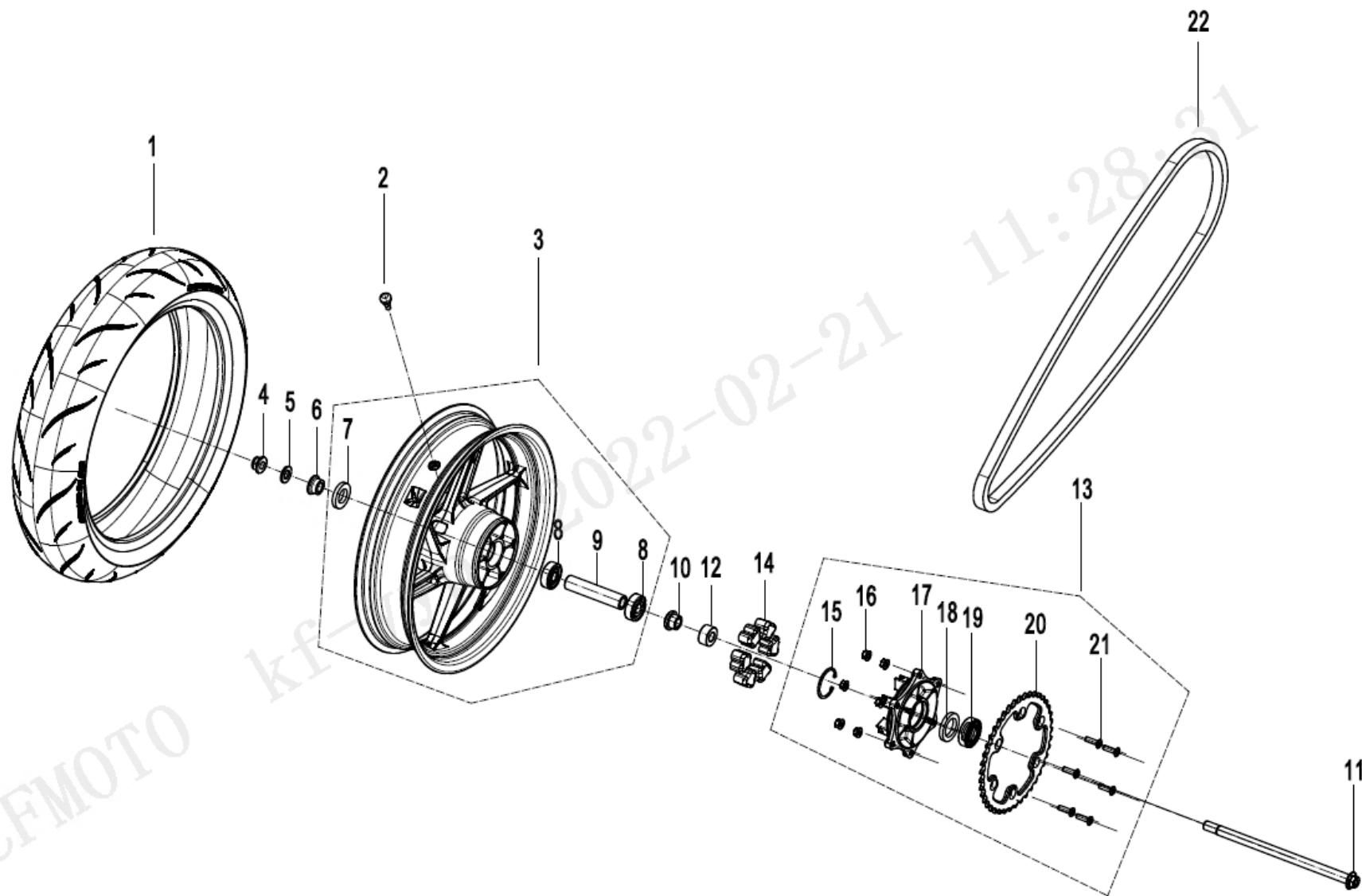
F10转向系统/STEERING SYSTEM



Item No.	Parts Number	Parts Name(EN)	Parts Name(CN)	Qty	Remarks
F10-01	6AQV-100301-1000-0VR00	BALANCE BLOCK (MERCURY SILVER)	平衡块组合	2	
F10-02	6AQV-100010-6000	RH GRIP	右握把	1	
F10-03	6KMV-167000-3000	RH HANDLEBAR SWITCH ASSY	右手把开关总成	1	
F10-04	6AQV-100120-1300	RH HANDLEBAR ASSY	右方向把组合	1	
F10-05	30102-080025810	SCREW M8X25	螺钉 M8X25	2	
F10-06	30102-060025870	SCREW M6x25	螺钉 M6X25	2	
F10-07	6AQV-166000-1001	LH HANDLEBAR SWITCH ASSY	左手把开关总成	1	
F10-08	6AQV-100110-1300	LH HANDLEBAR ASSY	左方向把组合	1	
F10-09	6AQV-100001-6000	LH GRIP	左握把	1	
F10-10	6KM#-100002-8000	PLUG	离合手柄胶塞	1	
F10-11	6WWV-100200-5003	CLUTCH LEVER ASSY	离合手柄组合	1	
F10-12	6WWV-100201-5000	CLUTCH LEVER	离合手柄	1	
F10-13	6AQV-100600-1002	CLUTCH CABLE	离合拉索	1	
F10-14	6AQV-100700-6000	THROTTLE LEVER ASSY	加油器总成	1	
F10-15	30105-040030410	SCREW M4X30	螺钉 M4X30	1	
F10-16	6AQV-100400-1300	THROTTLE CABLE	油门拉索	1	
F10-17	6AQV-100500-1300	ADJUSTING THROTTLE CABLE	可调油门拉索	1	
F10-18	6GUV-100200-7002-20	SWITCH ASSY	开关组件	1	

F11-V2 后轮 REAR WHEEL

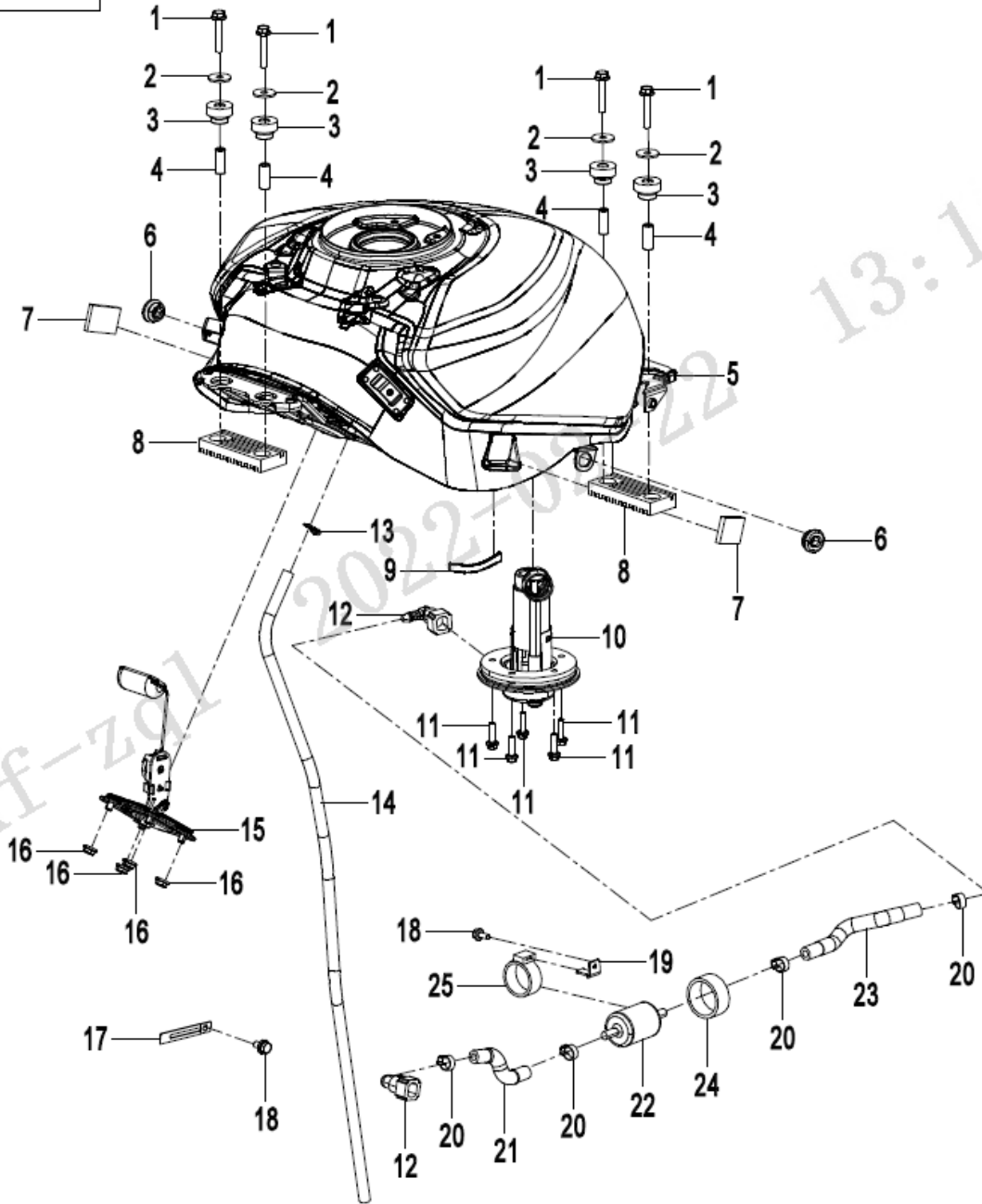
后轮/REAR WHEEL



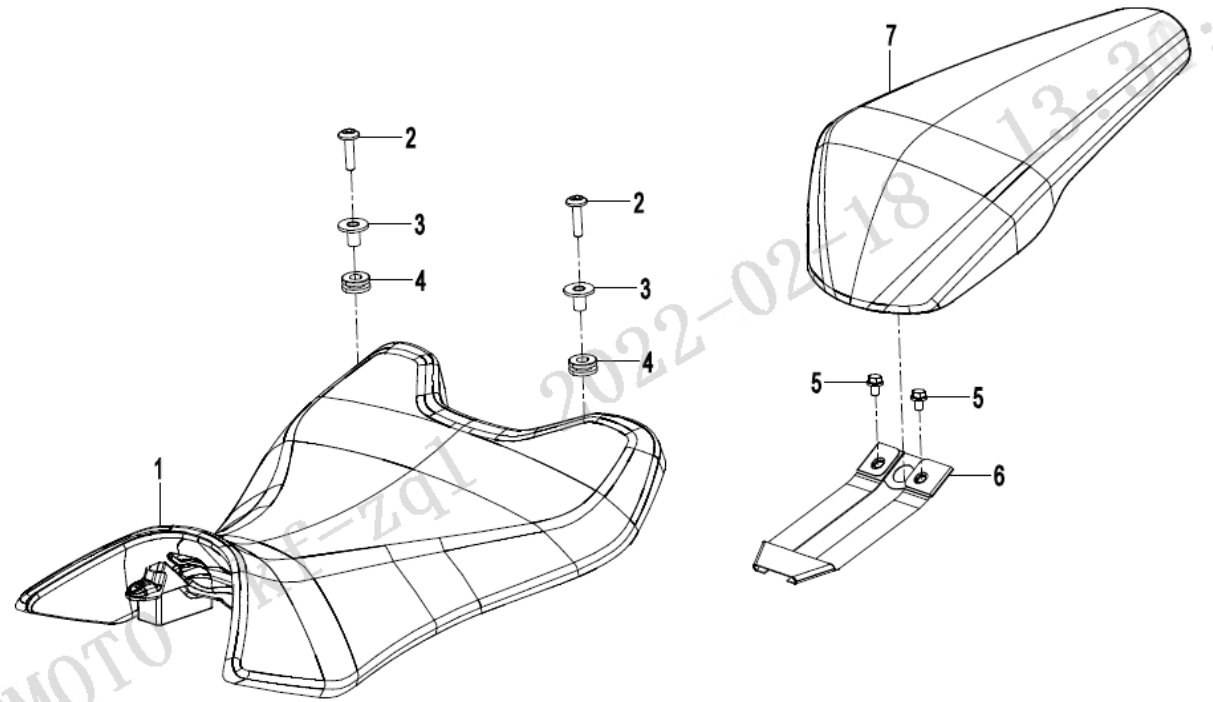
Item No.	Parts Number	Parts Name(EN)	Parts Name(CN)	Qty	Remarks
F11-V2-01	30705SH-177600	REAR TIRE	轮胎	1	
F11-V2-02	6WWV-070030-5A00-M1	VALVE, INFLATION	气门嘴	1	
F11-V2-03	6AQV-110200-1300-M1-0BV00	REAR RIM ASSY (MIDNIGHT BLACK)	后轮辋组合	1	
F11-V2-03	6AQV-110200-1300-M1-0RM00	REAR RIM ASSY (MAGMA RED)	后轮辋组合	1	
F11-V2-04	6AQV-060006-1000-M1	NUT M16X1.5	螺母M16×1.5	1	
F11-V2-05	6AQV-110006-1000	WASHER, REAR WHEEL AXLE	后轮轴平垫	1	
F11-V2-06	6AQV-110004-1000	REAR WHEEL RH SHAFT BUSHING	后轮右轴套	1	
F11-V2-07	30500-027800N	OIL SEAL FB27X47X7	油封	1	
F11-V2-08	30400-01784	BEARING	滚动轴承	2	
F11-V2-09	6AQV-110202-1000-M1	MIDDLE SPACER, REAR RIM	后轮辋中隔套	1	
F11-V2-10	6AQV-110005-1001	SHAFT BUSHING, SPROCKET SEAT	链轮座轴套	1	
F11-V2-11	6AQV-110007-1000	REAR WHEEL SHAFT	后轮轴	1	
F11-V2-12	6AQV-110003-4000	REAR WHEEL LH SHAFT BUSHING	后轮左轴套	1	
F11-V2-13	6AQV-110300-1004	SPROCKET SEAT	链轮座组件	1	
F11-V2-14	6AQV-110011-1000	RIM DAMPER	轮辋缓冲块	6	
F11-V2-15	30800-05205	CIRCLIP FOR HOLE 52	孔用弹性挡圈 52	1	
F11-V2-16	30204-080810	LOCK NUT M8	全金属六角法兰面锁紧螺母 M8	6	
F11-V2-17	6AQV-110301-1001	SPROCKET SEAT	链轮座	1	
F11-V2-18	6AQV-110300-1000-21	OIL SEAL	油封	1	
F11-V2-19	6AQV-110300-1000-20	BEARING	滚动轴承	1	
F11-V2-20	6AQV-110002-1002	REAR SPROCKET	后链轮	1	
F11-V2-21	6AQV-110300-1000-22	BOLT	梅花沉头螺栓	6	
F11-V2-22	3120941	CHAIN	链条	1	

F12 油箱 FUEL TANK

F12油箱/FUEL TANK



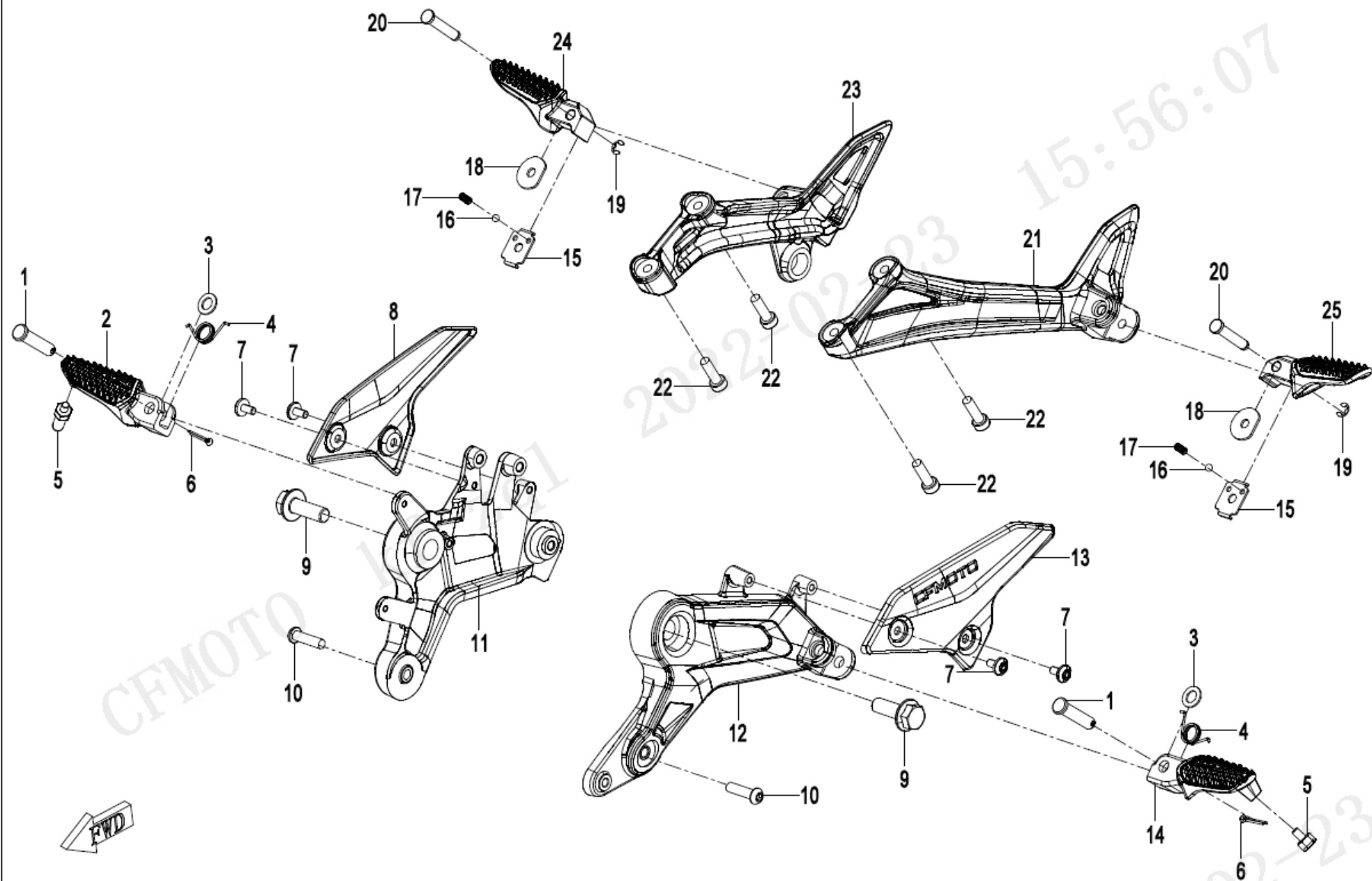
Item No.	Parts Number	Parts Name(EN)	Parts Name(CN)	Qty	Remarks
F12-01	30006-060035810	BOLT M6X35	螺栓 M6X35	4	
F12-02	30301-060412	WASHER 6	垫圈 6	4	
F12-03	6NQ#-120004-6000	RUBBER DAMPER	缓冲橡胶垫	4	
F12-04	6NQ#-120002-6000	BUSHING	安装衬套	4	
F12-05	6AQV-122000-1300-10	FUEL TANK WITH DECAL ASSY. (ZIRCON BLACK)	油箱贴花组合	1	
F12-05	6AQV-122000-1300-11	FUEL TANK WITH DECAL ASSY. (NEBULA WHITE)	油箱贴花组合	1	
F12-06	8080-040064	FRONT FENDER DAMPER	前围缓冲橡胶套	2	
F12-07	6NT1-041510	BUCKLE ASSY	蘑菇搭扣组合	2	
F12-08	6NQ#-120003-6000	RUBBER DAMPER BLOCK	缓冲橡胶垫块	2	
F12-09	6NQ0-190005	TAPE	后平叉胶贴	2	
F12-10	6AQV-150900-1002	FUEL PUMP ASSY	油泵总成	1	
F12-11	30006-050020810	BOLT M5X20	螺栓 M5X20	5	
F12-12	6090-120210	QUICK JOINT	快速接头	2	
F12-13	30601-111010	CLAMP A11	环箍A11	1	
F12-14	6NQ0-120001	FUEL PIPE, FUEL TANK	油箱漏油管	1	
F12-15	6AQV-170200-1000-M2	FUEL LEVEL SENSOR	油位传感器	1	
F12-16	30204-060810	NUT M6	螺母 M6	4	ALT:- 30202-060110
F12-17	0180-014010	WIRE CLIP	线夹组合	1	
F12-18	30006-050012810	BOLT M5X12	螺栓 M5X12	2	
F12-19	6AQV-120001-1000	BRACKET, FUEL FILTER	燃油滤清器支架	1	
F12-20	6070-120400	CLAMP Dia 14.5	无级环箍 Dia. 14.5	4	
F12-21	6AQV-120020-1000	HIGH-PRESSURE FUEL HOSE 2	高压油管组合II	1	
F12-22	805A-120004	FUEL FILTER, EFI	电喷燃油滤清器	1	
F12-23	6AQV-120010-1000	HIGH-PRESSURE FUEL HOSE 1	高压油管组合I	1	
F12-24	4020-040202	SPONGE, FRONT VENTILATION PLATE	前通风板海绵条	1	
F12-25	6090-120221	RUBBER SLEEVE, FUEL FILTER, EFI	电喷燃油滤清器橡胶套	1	



Item No.	Parts Number	Parts Name(EN)	Parts Name(CN)	Qty	Remarks
F13-01	6AQV-130100-1002	FRONT SEAT ASSY	前座垫组合	1	
F13-02	6GU#-000201-6000	INNER HEX SCREW M6x25	内六角螺钉M6x25	2	
F13-03	6KM0-120010	T-TYPE BUSHING ASSY	T型衬套组合	2	
F13-04	6090-040302	CUSHION SLEEVE	缓冲胶套	2	
F13-05	30006-060022810	BOLT M6X22	螺栓 M6X22	2	
F13-06	6AQV-130210-1000	TIE-BAND KIT	拉带组合	1	
F13-07	6AQV-130200-1001	REAR SEAT	后座垫组合	1	

F14 脚蹬 FOOTREST

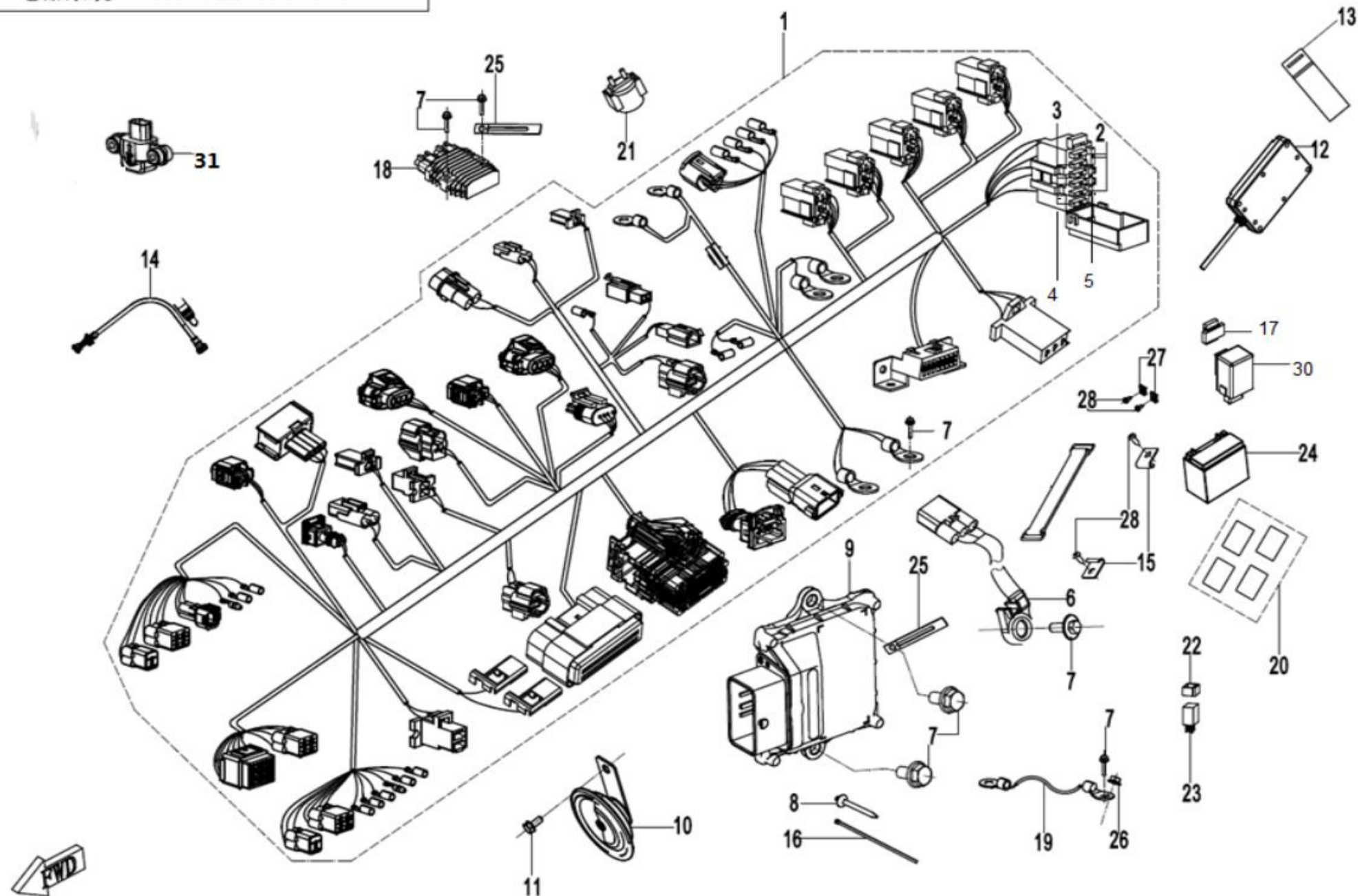
F14脚蹬/FOOTREST



Item No.	Parts Number	Parts Name(EN)	Parts Name(CN)	Qty	Remarks
F14-01	6WWV-140141-5000	PIN SHAFT	销轴	2	
F14-02	6AQV-140900-1000-0VR00	FRONT RH FOOTREST SEAT (MERCURY SILVER)	右前脚踏座	1	
F14-03	30300-100112	WASHER 10	垫圈 10	2	
F14-04	A000-140103-20000	SPRING	扭簧	2	ALT:- A000-140103-10000
F14-05	6AQV-140620-1000	LIMIT SCREW	限位螺钉	2	
F14-06	30903-0322210	COTTER PIN 3.2X22	开口销 3.2X22	2	
F14-07	6WWV-046701-5000	SCREW	M6x12内六角螺钉	4	
F14-08	6AQV-140710-1000-0VR00	PANEL, RH FRONT FOOTREST BRACKET (MERCURY SILVER)	右前脚踏支架护板	1	
F14-09	0800-014009-00002	BOLT	螺栓	2	
F14-10	30006-080030810	BOLT M8X30	螺栓 M8X30	2	
F14-11	6AQV-142700-1000	FRONT RH FOOTREST BRACKET ASSY	右前脚踏支架组件	1	
F14-12	6AQV-142600-1001	LH FRONT FOOTREST BRACKET ASSY (MERCURY SILVER)	左前脚踏支架组件	1	
F14-13	6AQV-140610-1000-0VR00	PANEL, LH FRONT FOOTREST BRACKET (MERCURY SILVER)	左前脚踏支架护板	1	
F14-14	6AQV-140800-1000-0VR00	FRONT LH FOOTREST SEAT	左前脚踏座	1	
F14-15	A000-140104	LOCATING GASKET 1	定位垫片 I	2	
F14-16	5190-037814	STEEL BALL	钢珠	2	
F14-17	5190-037813	SPRING	弹簧	2	
F14-18	A000-140106	LOCATING GASKET 2	定位垫片 II	2	
F14-19	30802-00603	CIRCLIP 6	开口挡圈6	2	ALT:- 30802-00605
F14-20	A000-140142	PIN SHAFT Dia 8	销轴Φ8	2	
F14-21	6AQV-140200-1001-0D300	LH REAR FOOTREST BRACKET (MIST SILVER BLACK)	左后脚踏支架	1	
F14-22	30102-080020810	SCREW M8x20	螺钉 M8X20	4	
F14-23	6AQV-140300-1001-0D300	RH REAR FOOTREST BRACKET (MIST SILVER BLACK)	右后脚踏支架	1	
F14-24	6AQV-140500-1000-0VR00	REAR RH FOOTREST SEAT (MERCURY SILVER)	右后脚踏座	1	
F14-25	6AQV-140400-1000-0VR00	REAR LH FOOTREST SEAT (MERCURY SILVER)	左后脚踏座	1	

F15 电器系统 ELECTRIC SYSTEM

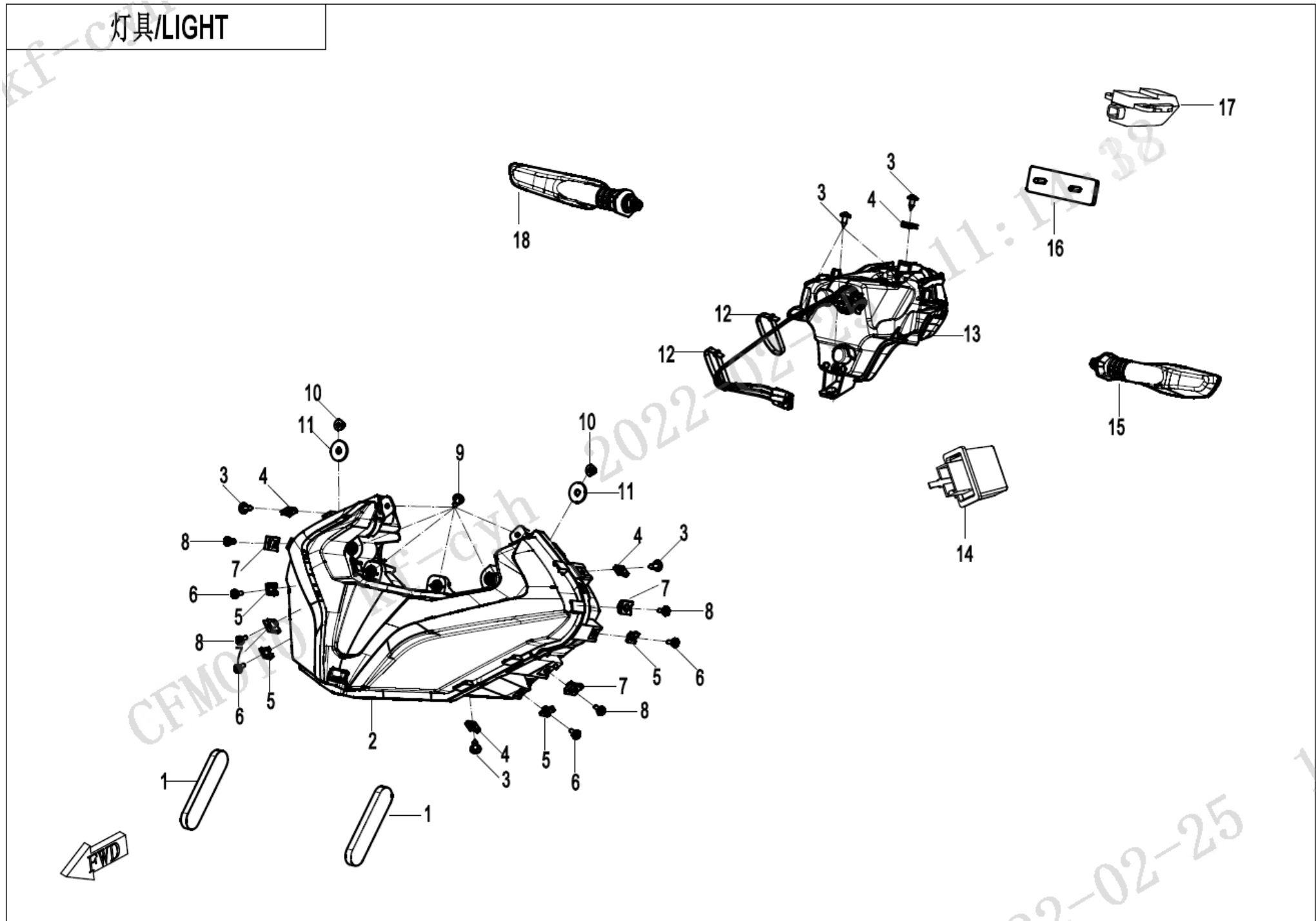
电器系统/ELECTRIC SYSTEM



Item No.	Parts Number	Parts Name(EN)	Parts Name(CN)	Qty	Remarks
F15-01	6AQV-150100-1300-10	MAIN CABLE	主线束	1	
F15-02	806A-151302	FUSE 10A	保险丝_10A	3	
F15-03	806A-151307	25A FUSE	25A保险丝	1	
F15-04	806A-151305	FUSE 15A	保险丝_15A	3	
F15-05	8010-151301	FUSE 5A	保险丝_5A	2	
F15-06	6KMV-151500-3000	SIDE STAND SWITCH	边撑开关	1	
F15-07	8010-090005	BOLT M6x16	螺栓M6x16	7	
F15-08	801F-100101	TIE BAND	扎带	5	
F15-09	6AQV-001000-1300	ECU ASSY	ECU总成	1	
F15-10	6AQV-150600-1500	HORN	喇叭	1	
F15-11	30006-080016870	BOLT M8X16	螺栓 M8X16	1	
F15-12	SN1V-691100-1101-11	T-BOX	智能中控	1	
F15-13	6KMV-150901-B002	T-BOX RUBBER RING	T-BOX橡胶圈	2	ALT:- 6KMV-150901-B002
F15-14	0HU0-176000	OXYGEN SENSOR	氧传感器	2	
F15-15	A000-030005	TIE BAND BRACKET, TOOLS KIT	随车工具拉带支架	2	
F15-16	8010-150003	TIE 5X250	扎带 5X250	13	
F15-17	6100-150500	RUBBER SLEEVE, FLASHER	闪烁器安装橡胶套	1	
F15-18	6NTV-151000-3000	REGULATOR	整流调压器	1	
F15-19	6AQV-150420-1001	NEGATIVE CABLE, BATTERY	蓄电池负极线	1	
F15-20	9010-120008	FUEL TANK SPONGE	油箱海绵块	6	
F15-21	9CR6-150310	STARTER RELAY	起动机继电器	1	
F15-22	9010-150002	RUBBER RING, AUXILIARY RELAY	辅助继电器橡胶圈	4	
F15-23	5BY4-150330	AUXILIARY RELAY	辅助继电器	4	
F15-24	83200-0000-750006	BATTERY YTZ12S/YTZ14S	蓄电池 YTZ12S/YTZ14S	1	
F15-25	0180-014010	WIRE CLIP	线夹组合	2	
F15-26	30204-060810	NUT M6	螺母 M6	1	ALT:- 30202-060110
F15-27	8080-000002	CLIP NUT ST4.8	夹板ST4.8	2	
F15-28	30110-481130010	SELF-TAPPING SCREW ST4.8X13	自攻螺钉 ST4.8X13	4	
F15-30	6AQV-161000-1000	FLASHER	闪烁器	1	
F15-31	6KJ0-150600	SENSOR, ROLL-OVER	侧倾传感器	1	

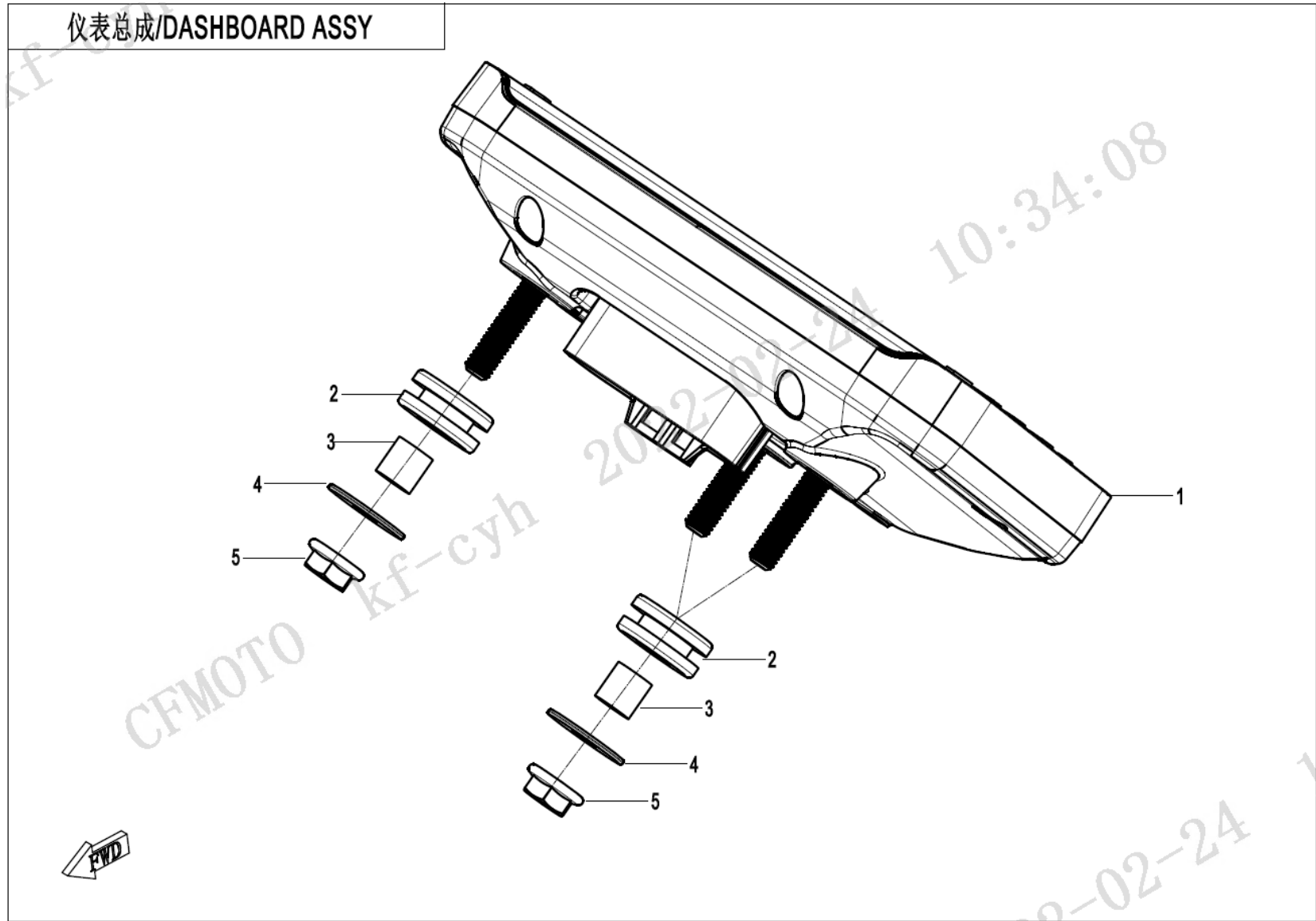
F16 灯具 LIGHTS

灯具/LIGHT



Item No.	Parts Number	Parts Name(EN)	Parts Name(CN)	Qty	Remarks
F16-01	6KM#-050030-8100	SIDE REFLECTOR	侧反射器	2	
F16-02	6AQV-160100-1000-10	HEADLIGHT ASSY	前照灯总成	1	
F16-03	30110-481130070	SELF-TAPPING SCREW	自攻螺钉	6	
F16-04	8080-000002	CLIP NUT ST4.8	夹板ST4.8	4	
F16-05	6KM#-040081-8000-M1	NUT CLIP M5	M5螺母夹	4	
F16-06	6WWV-047102-5000	INNER HEX SCREW M5x14	M5x14内六角螺钉	4	
F16-07	8030-040800-00001	NUT CLIP M6	M6螺母夹	4	
F16-08	6WWV-046801-5000	SCREW	M6x16内六角螺钉	4	
F16-09	30110-480160010	SELF-TAPPING SCREW ST4.8X16	自攻螺钉 ST4.8X16	6	
F16-10	30204-060810	NUT M6	螺母 M6	2	ALT:- 30202-060110
F16-11	30301-060412	WAHSER 6	垫圈 6	4	
F16-12	801F-100101	TIE BAND	扎带	2	
F16-13	6AQV-160200-1000-10	TAIL LIGHT	后尾灯	1	
F16-14	6AQV-161000-1000	FLASHER	闪烁器	1	
F16-15	6KM0-160400-00004	FRONT TURN LIGHT, LH	前左转向灯	1	
F16-16	6KM0-160230-00001	REAR REFLECTOR	后反射器	1	ALT:- 6KM0-160230
F16-17	6FIV-160600-6601	LICENSE LIGHT	牌照灯	1	
F16-18	6KM0-160500-00004	FRONT RH TURN LIGHT	前右转向灯	1	

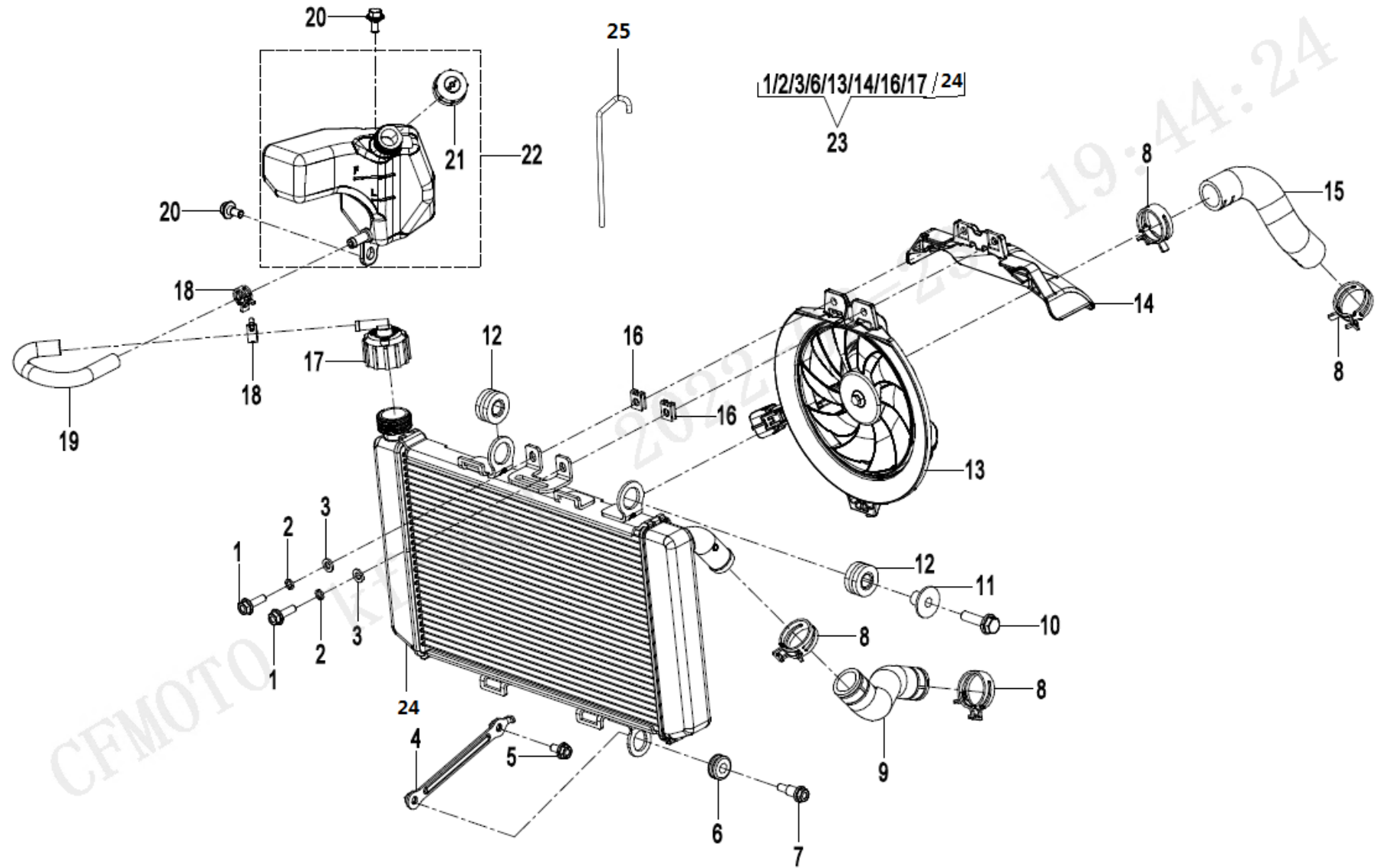
F17 仪表 DASHBOARD



Item No.	Parts Number	Parts Name(EN)	Parts Name(CN)	Qty	Remarks
F17-01	6AQV-171000-1300	DASHBOARD	仪表	1	
F17-02	6090-040302	CUSHION SLEEVE	缓冲胶套	3	
F17-03	6090-040303	BUSHING	衬套	3	
F17-04	30305-060112	WASHER 6	垫圈 6	3	
F17-05	30204-060810	NUT M6	螺母 M6	3	ALT:- 30202-060110

F18 冷却系统 COOLING SYSTEM

F18冷却系统/COOLING SYSTEM



02-23

Item No.	Parts Number	Parts Name(EN)	Parts Name(CN)	Qty	Remarks
F18-01	30006-060020870	BOLT M6X20	螺栓 M6X20	2	ALT:- 30006-060020810
F18-02	30303-060112	WASHER 6	垫圈 6	2	ALT:- 30303-060152
F18-03	30306-060142	WASHER	垫圈	2	
F18-04	6AQV-180010-1000	CONNECTING BRACKET	连接支架焊接组件	1	
F18-05	30006-060012870	BOLT M6X12	螺栓 M6X12	1	ALT:- 30006-060012810
F18-06	6WWV-181001-5000	DAMPING MAT, RADIATOR	散热器缓冲胶垫	1	
F18-07	6WWV-180008-5000	BOLT M6X25	台阶螺栓 M6X25	1	
F18-08	30601-229060	CLAMP	环箍	4	
F18-09	6AQV-180001-1000	RADIATOR WATER INLET HOSE	散热器进水管	1	
F18-10	30006-080030870	BOLT M8X30	螺栓 M8X30	1	
F18-11	A000-180010-20000	RADIATOR RUBBER DAMPER 2 BUSHING	散热器减震胶垫Ⅱ衬套	1	
F18-12	A000-180005	RADIATOR SHOCK ABSORBER RUBBER 2	散热器减震胶垫Ⅱ	2	
F18-13	6AQV-181200-1000	FAN MOTOR	风扇电机组合	1	
F18-14	6AQV-181000-1000-20	DEFLECTOR	导风板	1	
F18-15	6AQV-180002-1000	RADIATOR WATER OUTLET HOSE	散热器出水管	1	
F18-16	8030-040800-00001	NUT CLIP M6	M6螺母夹	2	
F18-17	6GUV-181010-6001	FILLER CAP ASSY	加水口盖组合	1	
F18-18	30601-212570	CLAMP	环箍	2	
F18-19	6AQV-180003-1000	CONNECTING PIPE, RESERVOIR	副水箱连接管	1	
F18-20	8010-000004	BOLT M6x14	凸缘螺栓M6x14	2	
F18-21	6AQV-180110-1000	RESEVOIR COVER	副水箱盖	1	
F18-22	6AQV-180100-1001	RESERVOIR TANK	副水箱组合	1	
F18-23	6AQV-181000-1000	RADIATOR FAN ASSY	散热器风扇组合	1	
F18-24	6AQV-181100-1000	RADIATOR ASSY	散热器焊接组件	1	
F18-25	6AQV-180004-1001	OVERFLOW HOSE, RESERVOIR	副水箱漏水管	1	

F19-1 警告贴花 WARNING DECAL KITS

警告

您必须遵守以下安全事项，否则有导致事故发生的危险

- 使用前请仔细阅读使用说明书，并请不要对摩托车进行不正当的改装
- 切勿触摸排气管、水箱、发动机、车轮等高温及旋转物品
- 请按规定要求进行例行保养及调整、特别是传动链条
- 请戴安全帽、显眼防护服等全套防护用品
- 机油压力报警灯亮起时，请关闭发动机
- 在道路湿滑或视线不良时，请减速行驶
- 仅使用95#或以上的无铅汽油
- 切勿原地长时间运转发动机
- 仅能使用1档起步

CFMOTO 春风动力

CFMOTO
智能车联网
GB-IV环保排放

6NQ#-190001-6003 CN209

—1



Item No.	Parts Number	Parts Name(EN)	Parts Name(CN)	Qty	Remarks
F19-1-01	6NQ#-190001-6003	SAFETY WARNING INSTRUCTION LABEL	安全警告说明标贴	1	

F19-2-A 个性贴花总成(星光白车用) DECAL KITS (NEBULA WHITE)

CF400-6改款个性贴花总成6AQV-190100-1301-11 星光白配色

导气槽材料

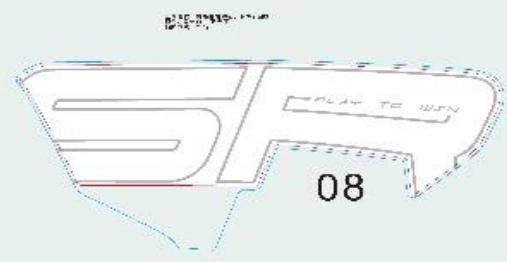
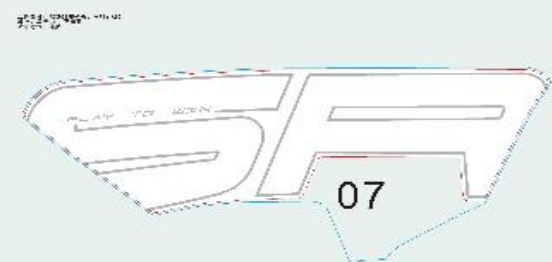
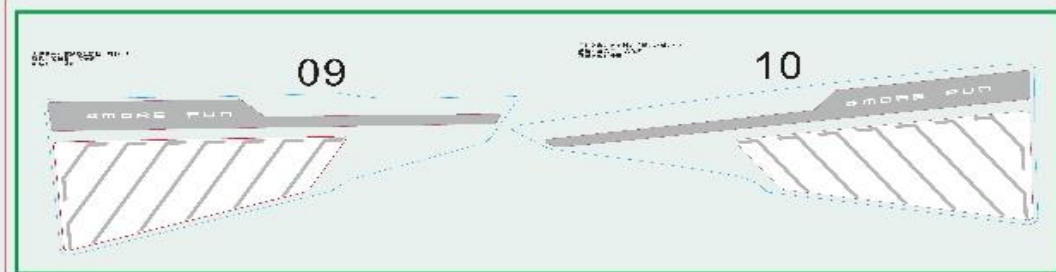
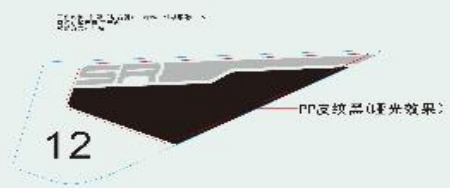
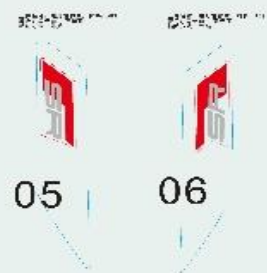
星光白	星光白
电光银	电光银
岩染红	岩染红
星光黑	星光黑

PP反纹黑(星光效果) 180%深空灰 星光白 电光银(亮光效果) 岩染红 星光黑

借用450SR量产车钻石黑配色



新设计



导气槽材料

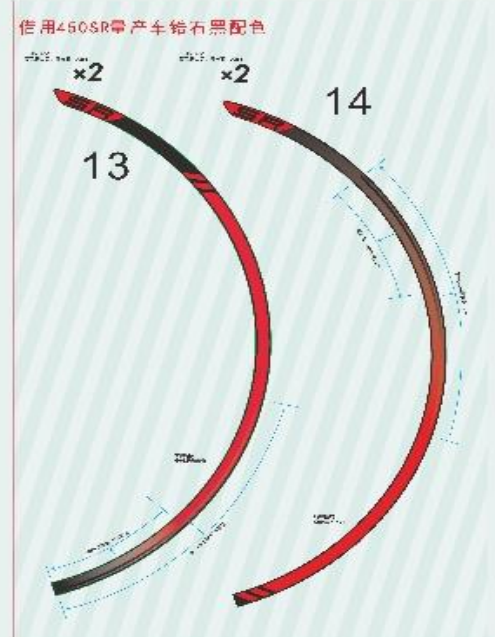
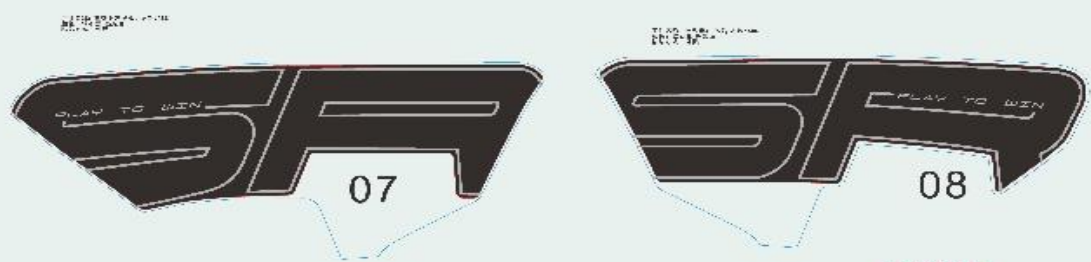
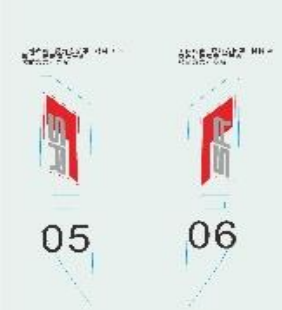
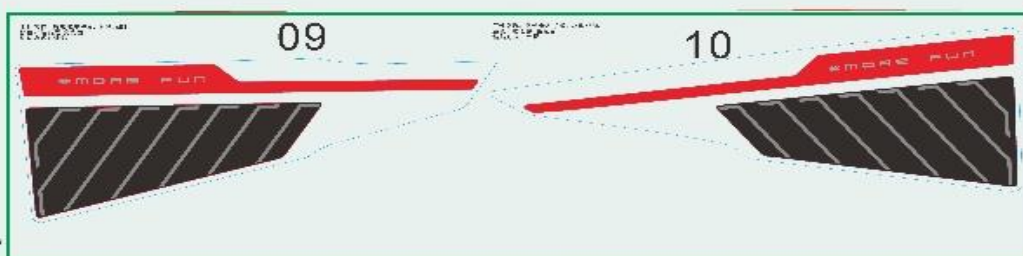
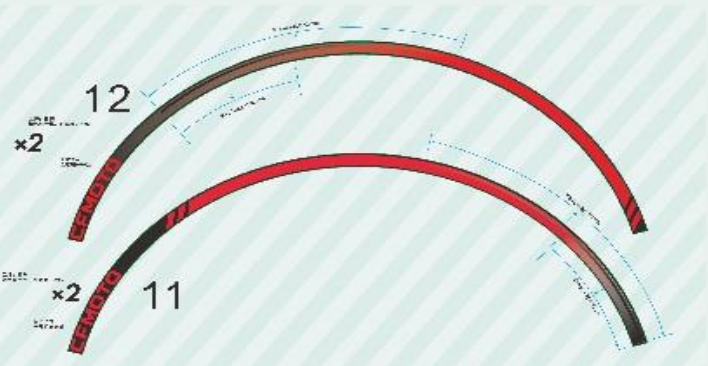
Item No.	Parts Number	Parts Name(EN)	Parts Name(CN)	Qty	Remarks
F19-2-A-V2-01	6AQV-190101-1000-10	DECAL, LH VEHICLE COVER	左车体盖贴花	1	
F19-2-A-V2-02	6AQV-190102-1000-10	DECAL, RH VEHICLE COVER	右车体盖贴花	1	
F19-2-A-V2-03	6AQV-190103-1300-11	HEADLIGHT LH GUARD DECAL	大灯左护罩贴花	1	
F19-2-A-V2-04	6AQV-190104-1300-11	HEADLIGHT RH GUARD DECAL	大灯右护罩贴花	1	
F19-2-A-V2-05	6AQV-190105-1300-11	HEADLIGHT LH GUARD DECAL	尾灯左护罩贴花	1	
F19-2-A-V2-06	6AQV-190106-1300-11	DECAL, TAIL LIGHT LH GUARD	尾灯右护罩贴花	1	
F19-2-A-V2-07	6AQV-191107-1300-11	RADIATOR LH PANEL DECAL 1	散热器左护板贴花I	1	
F19-2-A-V2-08	6AQV-191108-1300-11	RADIATOR RH PANEL DECAL 1	散热器右护板贴花I	1	
F19-2-A-V2-09	6AQV-190109-1300-11	RADIATOR LH PANEL DECAL 2	散热器左护板贴花II	1	
F19-2-A-V2-10	6AQV-190110-1300-11	RADIATOR RH PANEL DECAL 2	散热器右护板贴花II	1	
F19-2-A-V2-11	6AQV-190111-1300-11	FUEL TANK LH DECAL	油箱左贴花	1	
F19-2-A-V2-12	6AQV-190112-1300-11	FUEL TANK RH DECAL	油箱右贴花	1	

F19-2-B-V2 个性贴花总成(锆石黑车用) DECAL KITS (ZIRCON BLACK)

CF400-6改款个性贴花总成6AQV-190100-1301-10 锆石黑配色

— 碳纤维
— 刀模纹
■ PP皮纹
■ 180%深空灰
■ 锆石黑
■ 运感灰
■ 岩脉红

贴膜材料颜色
 光面高光
 哑面高光
 哑面亮光
 哑面内射

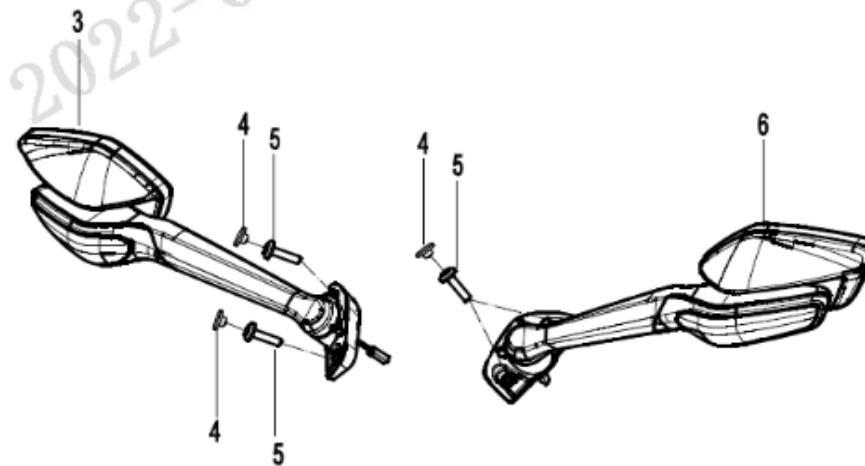


导气模材料

Item No.	Parts Number	Parts Name(EN)	Parts Name(CN)	Qty	Remarks
F19-2-B-V2-01	6AQV-190101-1000-10	DECAL, LH VEHICLE COVER	左车体盖贴花	1	
F19-2-B-V2-02	6AQV-190102-1000-10	DECAL, RH VEHICLE COVER	右车体盖贴花	1	
F19-2-B-V2-03	6AQV-190103-1300-10	HEADLIGHT LH GUARD DECAL	大灯左护罩贴花	1	
F19-2-B-V2-04	6AQV-190104-1300-10	HEADLIGHT RH GUARD DECAL	大灯右护罩贴花	1	
F19-2-B-V2-05	6AQV-190105-1300-10	TAILLIGHT LH GUARD DECAL	尾灯左护罩贴花	1	
F19-2-B-V2-06	6AQV-190106-1300-10	DECAL, TAIL LIGHT LH GUARD	尾灯右护罩贴花	1	
F19-2-B-V2-07	6AQV-191107-1300-10	RADIATOR LH PANEL DECAL 1	散热器左护板贴花 I	1	
F19-2-B-V2-08	6AQV-191108-1300-10	RADIATOR RH PANEL DECAL 1	散热器右护板贴花 I	1	
F19-2-B-V2-09	6AQV-190109-1300-10	RH RADIATOR PANEL DECAL I	散热器左护板贴花 II	1	
F19-2-B-V2-10	6AQV-190110-1300-10	LH COMMERCIAL NAME DECAL	散热器右护板贴花 II	1	
F19-2-B-V2-11	6AQV-190117-1001-10	DECAL 1, LH RIM	左轮辋贴花 I	2	
F19-2-B-V2-12	6AQV-190118-1001-10	DECAL 1, RH RIM	右轮辋贴花 I	2	
F19-2-B-V2-13	6AQV-190119-1001-10	DECAL 2, LH RIM	左轮辋贴花 II	2	
F19-2-B-V2-14	6AQV-190120-1001-10	DECAL 2, RH RIM	右轮辋贴花 II	2	

F20 随车工具 TOOLS

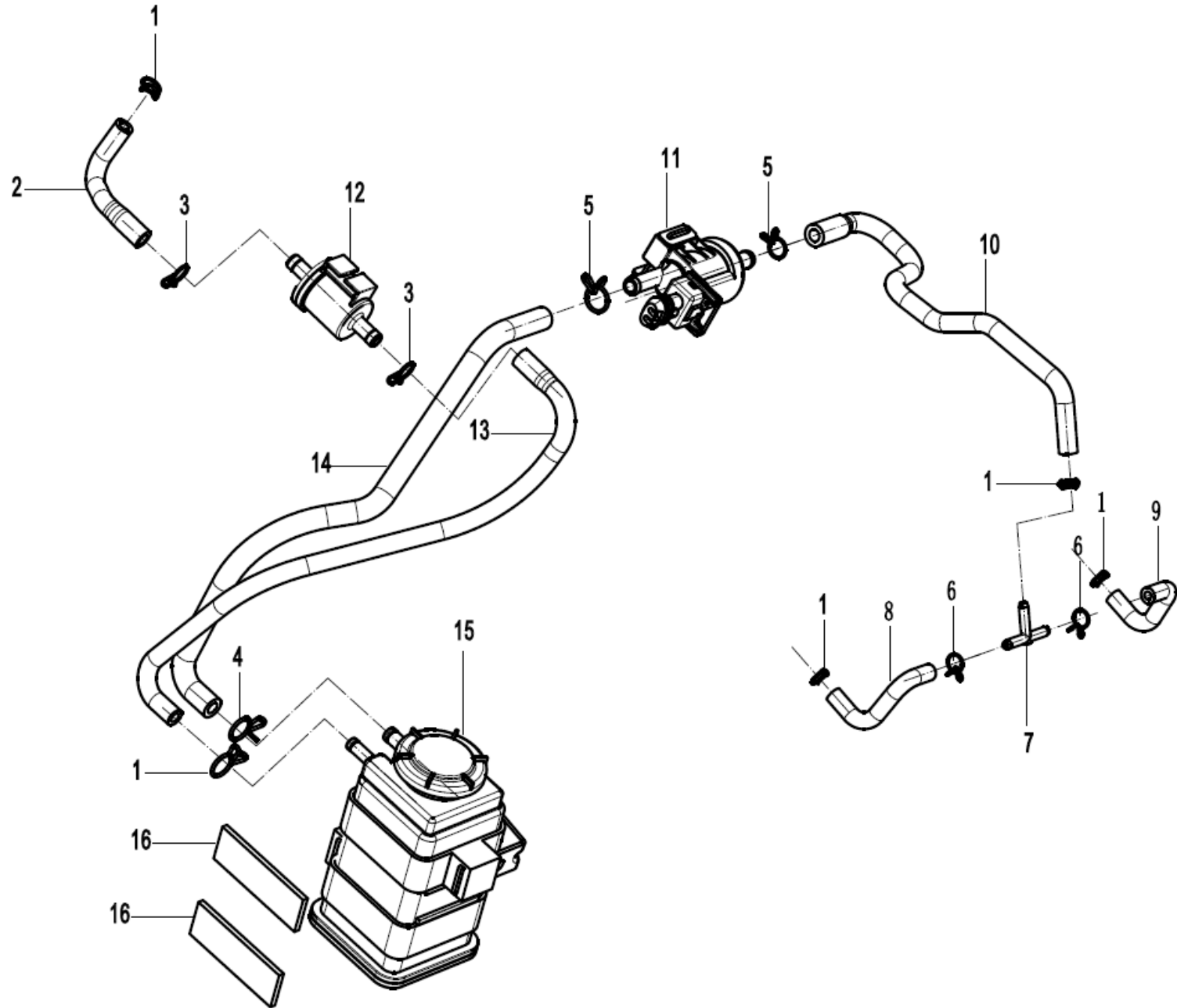
随车工具/TOOLS



Item No.	Parts Number	Parts Name(EN)	Parts Name(CN)	Qty	Remarks
F20-03	6AQV-200300-1001	RH REAR VIEW MIRROR	右后视镜总成	1	
F20-04	6KM#-200003-8001	PLUG	堵头	4	
F20-05	30102-060020870	INNER HEX SCREW M6x20	螺钉M6x20	4	
F20-06	6AQV-200200-1001	LH REARVIEW MIRROR ASSY	左后视镜总成	1	

F36 燃油蒸发系统 FUEL VAPORIZATION SYSTEM

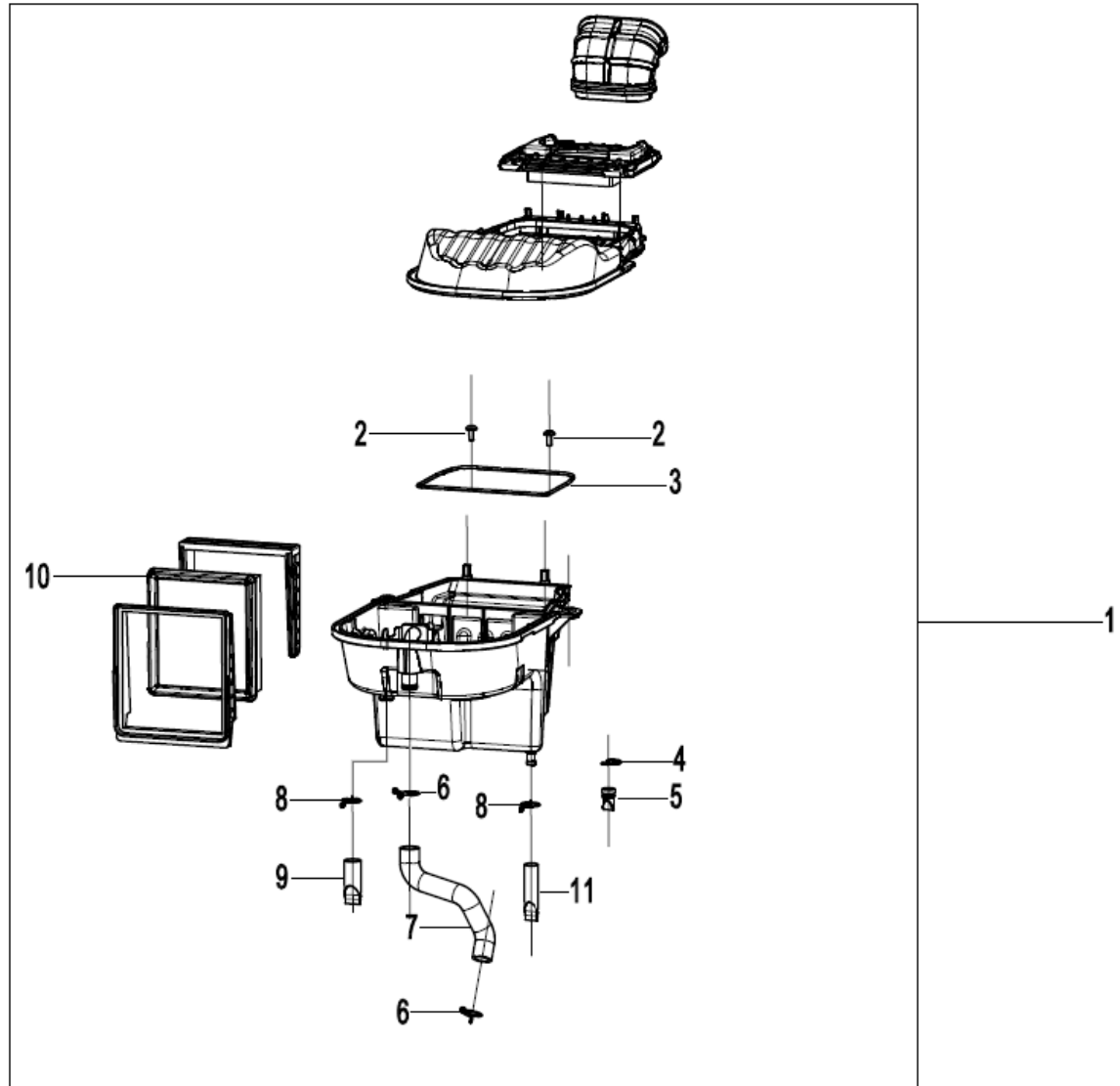
燃油蒸发系统/FUEL EVAPORATION SYSTEM



Item No.	Parts Number	Parts Name(EN)	Parts Name(CN)	Qty	Remarks
F36-01	30601-109010	CLAMP A9	环箍 A9	5	
F36-02	6AQV-360001-1000	FUEL VAPOR ADSORPTION HOSE 1	燃油蒸汽吸附管I	1	
F36-03	30601-110010	CLAMP A10	环箍 A10	2	
F36-04	30601-111010	CLAMP A11	环箍A11	1	
F36-05	30601-112010	CLAMP A12	环箍 A12	2	
F36-06	30601-108010	CLAMP A8	环箍 A8	2	
F36-07	8010-360001	VACUUM T-JOINT	负压三通接头	1	
F36-08	6AQV-360007-1000	LH FUEL VAPOR DESORPTION HOSE	左燃油蒸汽脱附管	1	
F36-09	6AQV-360008-1000	RH FUEL VAPOR DESORPTION HOSE	右燃油蒸汽脱附管	1	
F36-10	6AQV-360004-1000	FUEL VAPOR DESORPTION HOSE 2	燃油蒸汽脱附管II	1	
F36-11	1F3V-172000-1000	CANISTER MAGNETIC VALVE	碳罐电磁阀	1	
F36-12	6WWV-360010-5000	"TWO-WAY VALVE	双向阀	1	
F36-13	6AQV-360002-1000	FUEL VAPOR ADSORPTION HOSE 2	燃油蒸汽吸附管II	1	
F36-14	6AQV-360003-1000	FUEL VAPOR DESORPTION HOSE 1	燃油蒸汽脱附管I	1	
F36-15	6L30-360200	CANISTER	碳罐	1	
F36-16	4020-040202	SPONGE, FRONT VENTILATION PLATE	前通风板海绵条	2	

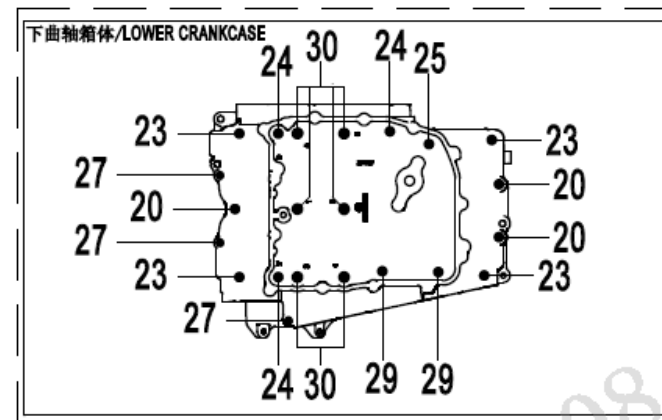
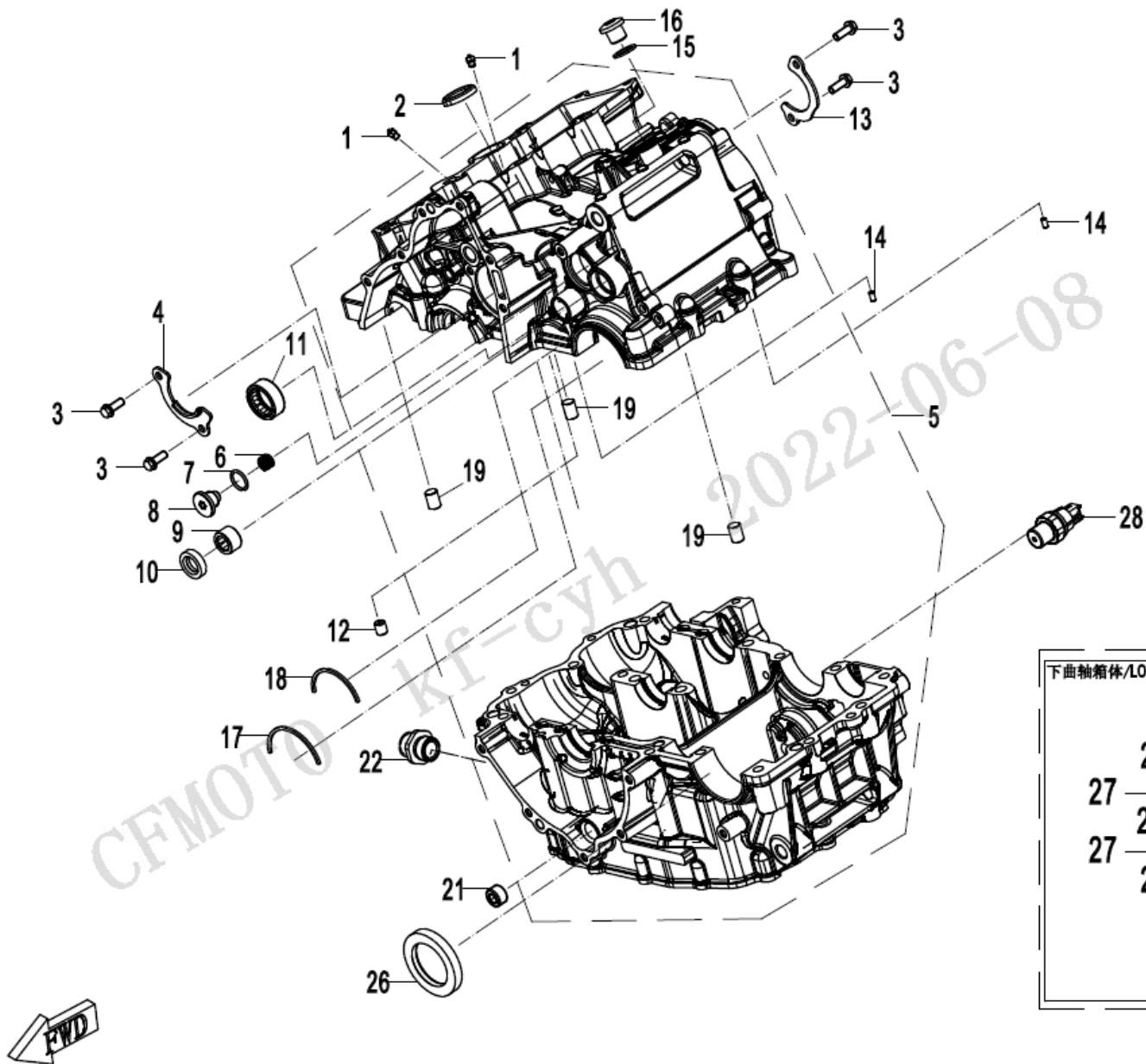
F41 空滤器组 AIR FILTER ASSY

空滤器组/AIR FILTER ASSY



Item No.	Parts Number	Parts Name(EN)	Parts Name(CN)	Qty	Remarks
F41-01	0SQV-110000-1001	AIR FILTER	空滤器总成	1	
F41-02	6NTA-040202	INNER HEX SCREW M5x12	内六角螺钉M5x12	2	
F41-03	0SQV-110000-1000-20	SEAL RING	密封圈	1	
F41-04	30601-111010	CLAMP A11	环箍A11	1	
F41-05	0SQV-110000-1000-21	VALVE	鸭嘴阀	1	
F41-06	30601-118010	CLAMP A18	环箍 A18	2	ALT:- 30601-120030
F41-07	0SQV-110008-1000	BREATHER HOSE, CRANKCASE	曲轴箱通风管	1	
F41-08	30601-117010	CLAMP A17	环箍 A17	2	
F41-09	0SQV-110000-1000-24	STORAGE HOSE	储油管	1	
F41-10	0SQV-112000-1000	FILTER ELEMENT	滤芯组件	1	
F41-11	0SQV-110000-1000-25	OIL STORAGE HOSE	储油管	1	
F41-12	0120-110003	CLAMP 52	卡箍52	2	

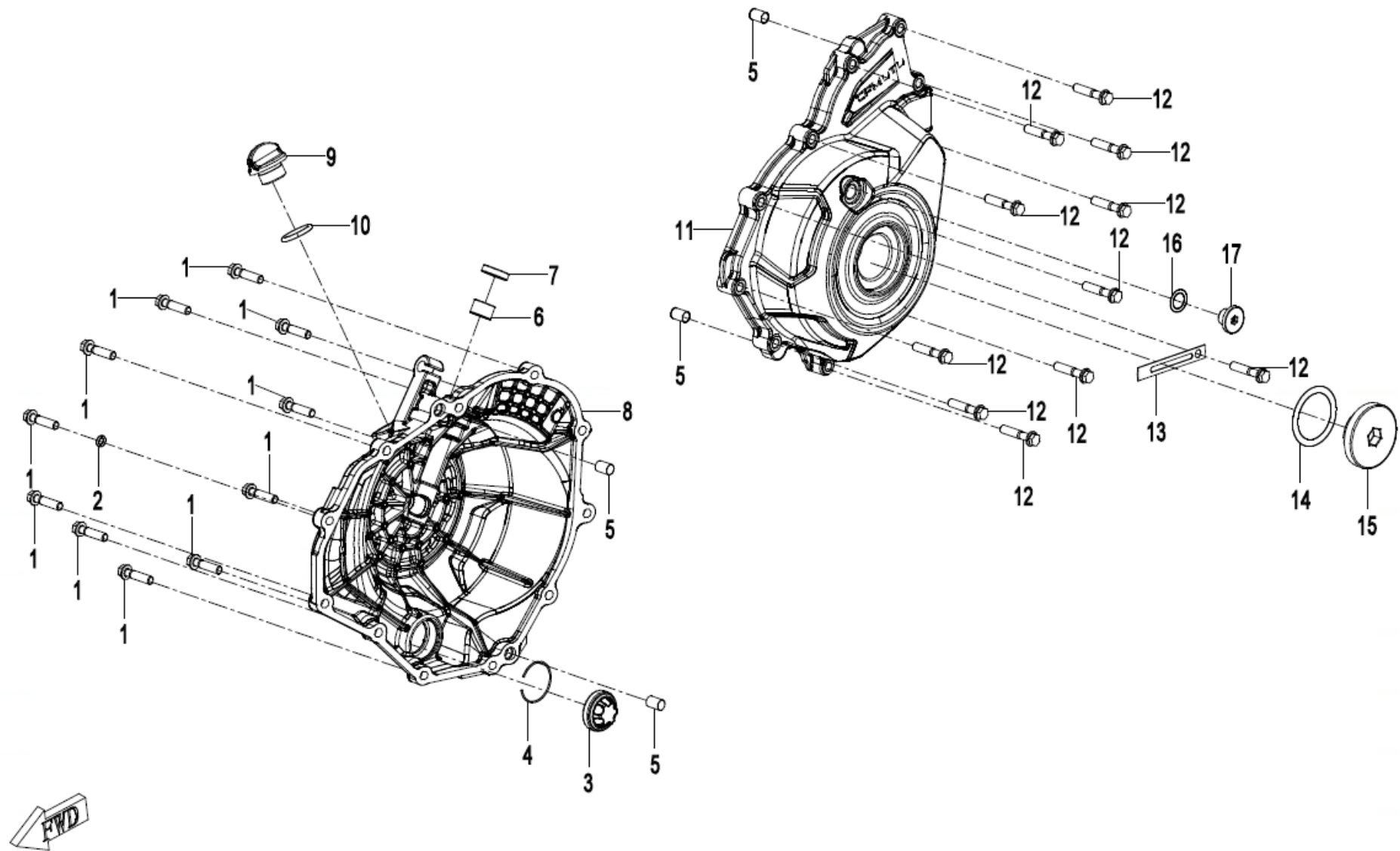
上曲轴箱分总成和下曲轴箱分总成/UPPER & LOWER CRANKCASE



Item No.	Parts Number	Parts Name(EN)	Parts Name(CN)	Qty	Remarks
E01-1-01	0SQV-011102-1000	OIL NOZZLE Dia. 0.7	喷油嘴 Dia. 0.7	2	
E01-1-02	0SQV-011104-1000	SEAL RING, FILLER	上水口密封圈	1	
E01-1-03	0010-090005-0010	BOLT M6x16	螺栓 M6X16	4	
E01-1-04	0SQV-011105-1000	BEARING GUARD, LH	左轴承挡板	1	
E01-1-05	0SQV-01FZ01-1003-0BP00	CRANKCASE ASSY	曲轴箱体组合	1	
E01-1-06	0SQV-060011-1000	BEARING SLEEVE	轴承套	2	
E01-1-07	0SQV-011107-1000	O-RING 15X1.9	O型圈 15X1.9	1	
E01-1-08	0SQV-011108-1000	FORK SHAFT COVER	拨叉轴盖	1	
E01-1-09	30403-01400	NEEDLE BEARING	滚针轴承	1	
E01-1-10	1F30-011600	OIL SEAL 14X24X6	油封 14X24X6	1	
E01-1-11	30403-02500	BEARING	滚针轴承	1	
E01-1-12	0SQV-011103-1000	RESTRICTION PLUG	节流塞	1	
E01-1-13	0SQV-011106-1000	BEARING GUARD, RH	右轴承挡板	1	
E01-1-14	30406-00401	ROLLER NEEDLE P4x7.8	滚针P4x7.8	2	ALT:- 920301-40078-PG2
E01-1-15	0180-011006	GASKET 14	垫片14	1	
E01-1-16	0180-021008-00001	BOLT M14X1.25X12	螺栓M14x1.25x12	1	
E01-1-17	0SQV-011004-1000	RETAINER, BEARING	轴承止动环	1	
E01-1-18	0SQV-011003-1000	RETAINER, BEARING	轴承止动环	1	
E01-1-19	30410-01000	ROLLER 10x14	圆柱滚子10X14	3	
E01-1-20	0SQV-012003-1000	BOLT M8x45	螺栓 M8X45	3	
E01-1-21	0700-012105-00001	PLUG, MAIN OIL RAIL	主油道锥堵	1	
E01-1-22	0700-012106-00002	OIL FILTER BOLT	机油滤安装螺栓	1	
E01-1-23	0SQV-012002-1000	BOLT M8X65	螺栓 M8X65	4	
E01-1-24	0SQV-012500-1000	BOLT ASSY M8X105	组合螺栓 M8X105	3	
E01-1-25	0SQV-012600-1000	BOLT ASSY M8X55	组合螺栓 M8X55	1	
E01-1-26	0SQV-010001-1001	COUNTERSHAFT OIL SEAL 40X58X8	副轴油封 40X58X8	1	
E01-1-27	0010-060012-0010	BOLT M6x30	螺栓 M6X30	3	
E01-1-28	0SQV-012400-1000	OIL PRESSURE SWITCH	机油压力开关	1	
E01-1-29	0SQV-012700-1000	BOLT ASSY M8X45	组合螺栓 M8X45	2	
E01-1-30	0SQV-012200-1000	BOLT ASSY M9X108	组合螺栓 M9X108	6	

E01-2 左&右侧盖组 LEFT& RIGHT SIDE COVER

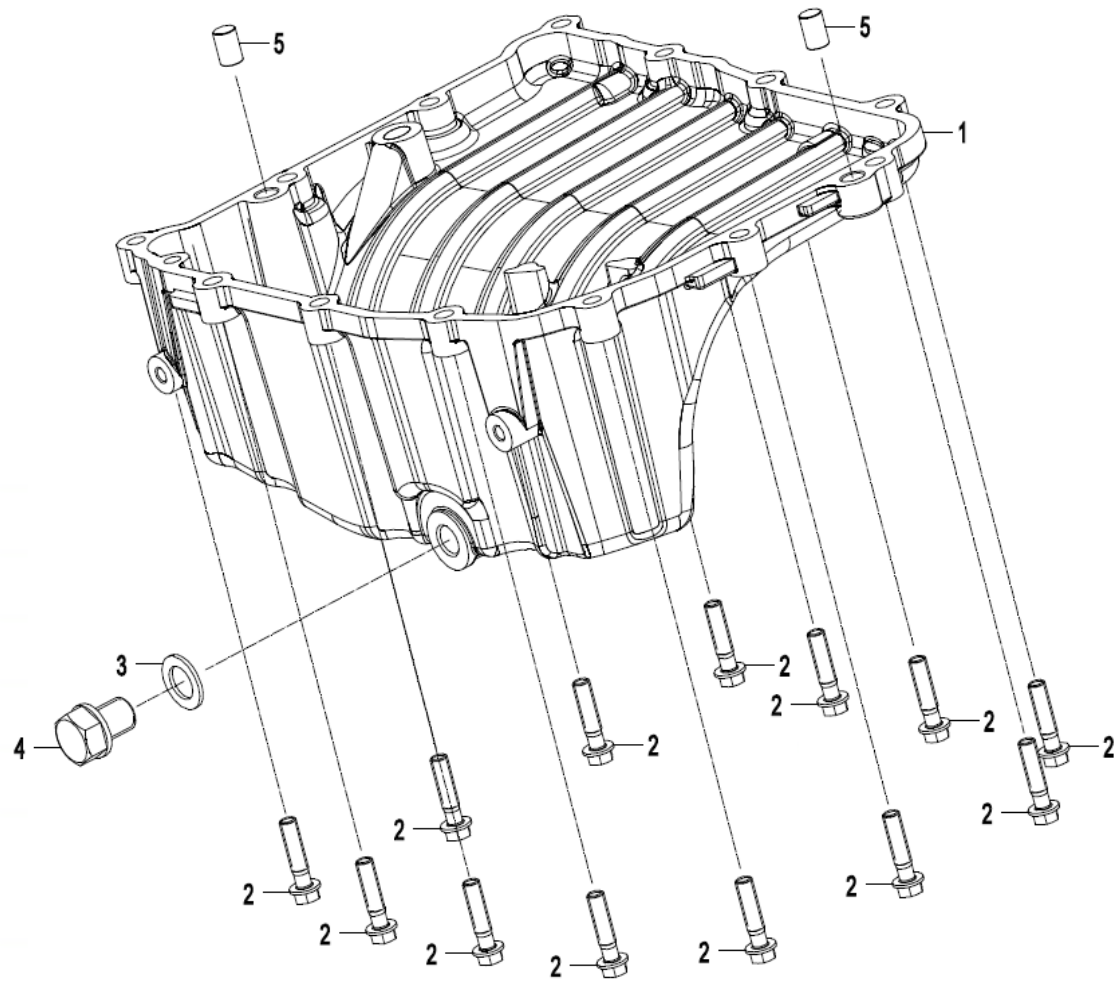
右&左侧盖分总成/RIGHT&LEFT SIDE COVER



Item No.	Parts Number	Parts Name(EN)	Parts Name(CN)	Qty	Remarks
E01-2-01	0010-021017-0010	BOLT M6x25	螺栓 M6X25	11	
E01-2-02	0700-012201	O-RING 5X2	O形密封圈 5X2	1	
E01-2-03	0SQV-013100-1000-M1	VIEWER, OIL LEVEL	油面观察窗组合	1	
E01-2-04	0SQV-013001-1000	CIRCLIP	钢丝挡圈	1	
E01-2-05	30410-00800	ROLLER	圆柱滚子	4	
E01-2-06	30403-01200	BEARING 12X16X10	滚针轴承 12X16X10	1	
E01-2-07	0010-080009	OIL SEAL 12X20X5	油封 12X20X5	1	
E01-2-08	0SQV-013005-1001-0D300	RH SIDE COVER (MIST SILVER BLACK)	右侧盖	1	ALT:- 0SQV-013005-1000-0D300
E01-2-09	0700-013008	PLUG, OIL FILLING	加油塞	1	
E01-2-10	0110-013030	O-RING 18X3.55	O形密封圈 18X3.55	1	
E01-2-11	0SQV-014001-1000-0D300	LH SIDE COVER (MIST SILVER BLACK)	左侧盖	1	
E01-2-12	0010-060012-0010	BOLT M6x30	螺栓 M6X30	11	
E01-2-13	0180-014010	WIRE CLIP	线夹组合	1	
E01-2-14	01A0-012003	O-RING 35X3.5	O形密封圈 35X3.5	1	
E01-2-15	01A0-012002-0D300	STRAINER COVER (MIST SILVER BLACK)	滤网盖	1	
E01-2-16	0DM0-011006	O-RING 13X2	O形密封圈 13X2	1	
E01-2-17	0DM0-014003	VIEWING HOLE, TIMING INSPECTION	正时观察孔盖	1	

E01-3 油底壳 OIL PAN

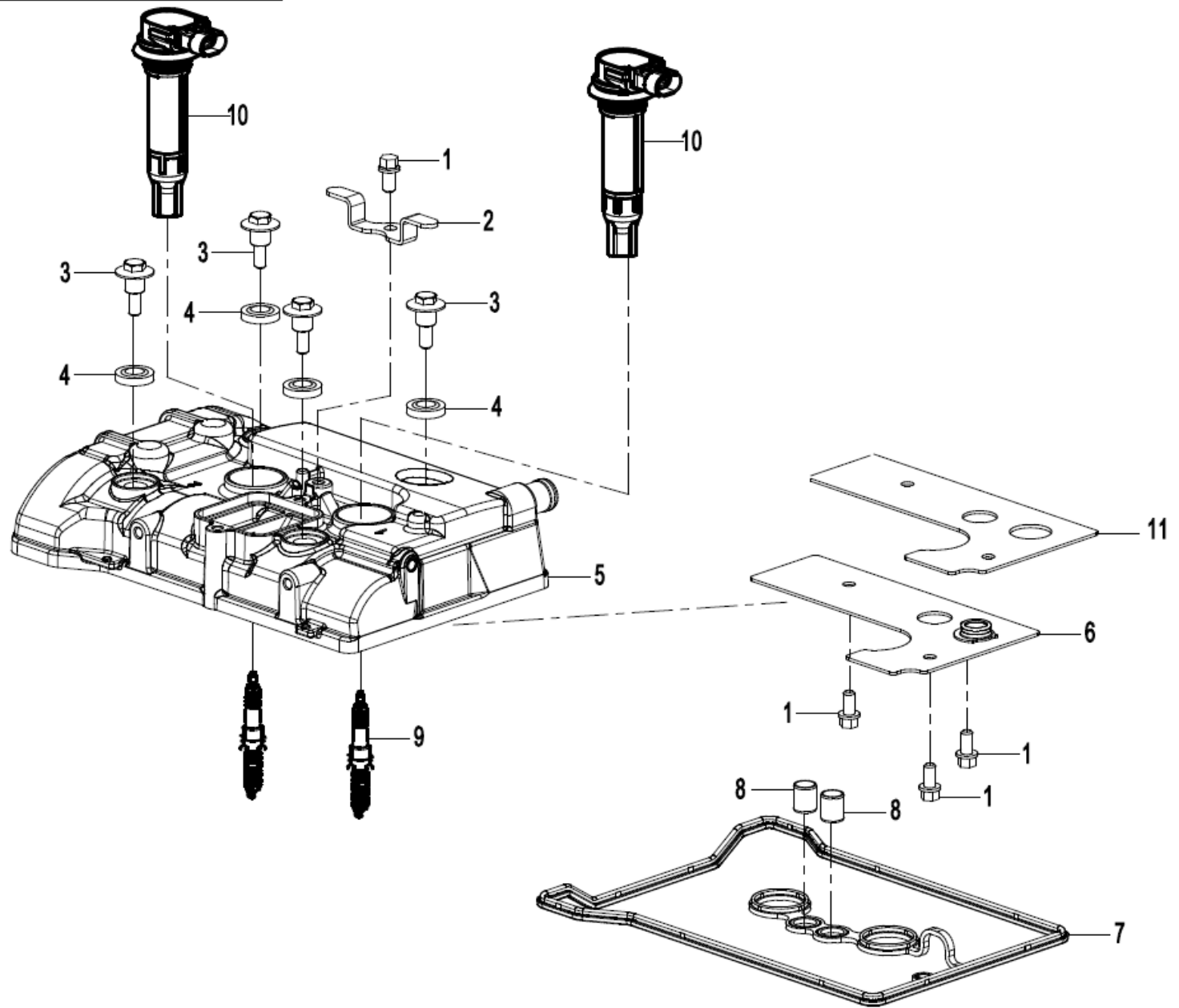
油底壳分总成/OIL PAN



Item No.	Parts Number	Parts Name(EN)	Parts Name(CN)	Qty	Remarks
E01-3-01	0SQV-015001-1001-0BP00	OIL PAN (MAUD SPIRIT BLACK)	油底壳	1	
E01-3-02	0010-021017-0010	BOLT M6x25	螺栓 M6X25	13	
E01-3-03	0010-021014	WASHER 12	垫圈12	1	
E01-3-04	0180-011500	MAGNETIC DRAIN BOLT M12X1.5	磁性放油螺栓 M12X1.5	1	
E01-3-05	30410-00800	ROLLER	圆柱滚子	2	

E02-1 气缸盖罩分总成 CYLINDER HEAD COVER

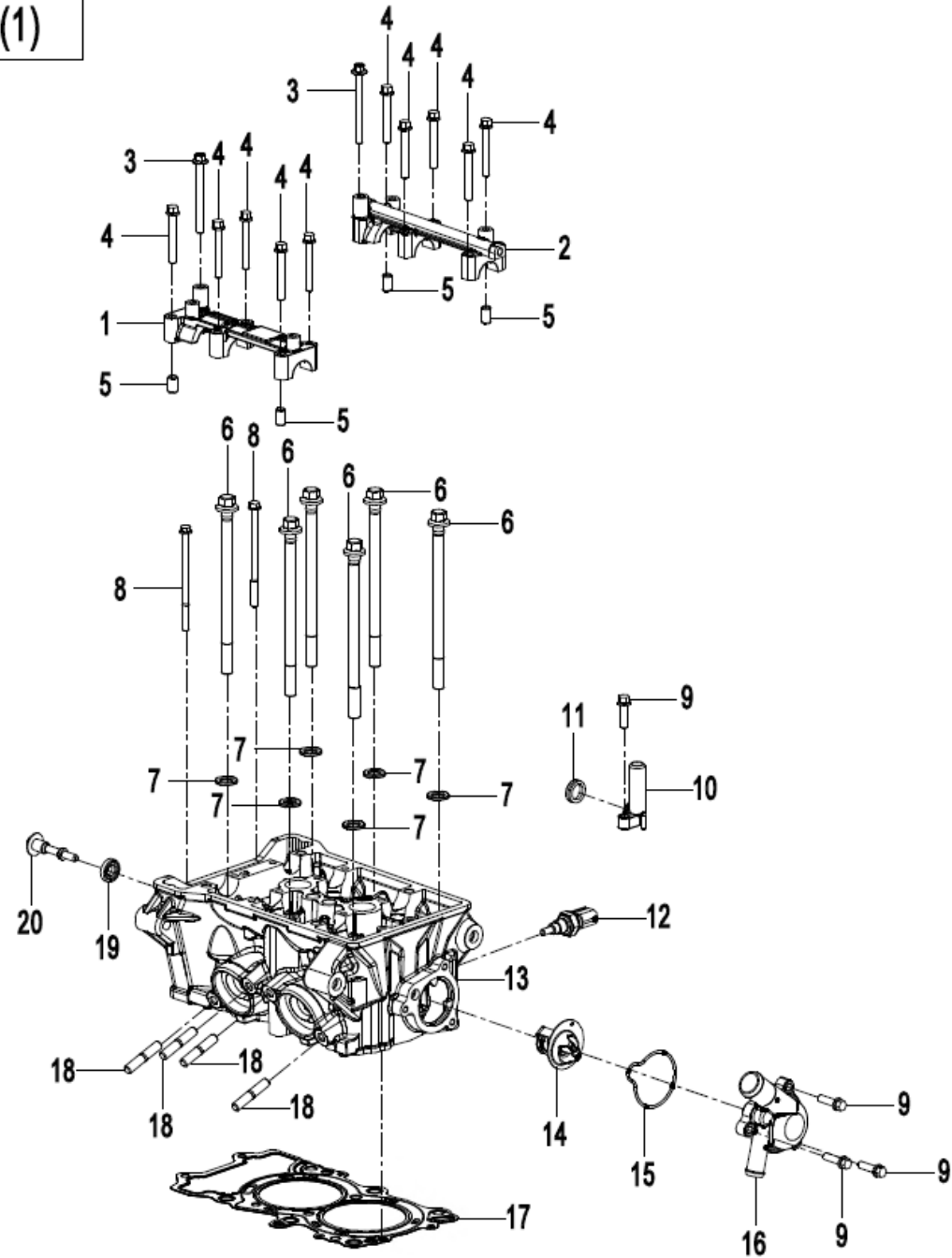
气缸盖罩分总成/CYLINDER HEAD COVER



Item No.	Parts Number	Parts Name(EN)	Parts Name(CN)	Qty	Remarks
E02-1-01	0010-021019-0010	BOLT M6x12	螺栓 M6X12	4	
E02-1-02	0SQV-021004-1000	PRESS PLATE	压板	1	
E02-1-03	0700-021003-00001	CYLINDER HEAD COVER BOLT (GALVANIZED TRIVALENT CHRO)	气缸盖罩螺栓	4	
E02-1-04	0700-021200	CYLINDER HEAD COVER BOLT SEAL RING	气缸盖罩螺栓密封圈	4	
E02-1-05	0SQV-021010-1001-0BP00	CYLINDER HEAD COVER ASSY (MAUD SPIRIT BLACK)	气缸盖罩组件	1	
E02-1-06	0SQV-021100-1000	PRESS PLATE	迷宫盖板组件	1	
E02-1-07	0SQV-021002-1000	GASKET, CYLINDER HEAD COVER	气缸盖罩密封圈	1	
E02-1-08	0HU0-021002-00001	GULP PIN	补气销	2	
E02-1-09	0SQV-170200-1000	SPARK PLUG	火花塞组件	2	
E02-1-10	0SQV-178000-1000	IGNITION COIL	点火线圈	2	
E02-1-11	0SQV-021005-1000	LABYRINTH COVER GASKET	迷宫盖板垫片-	1	

E02-2 气缸盖分总成(1) CYLINDER HEAD(1)

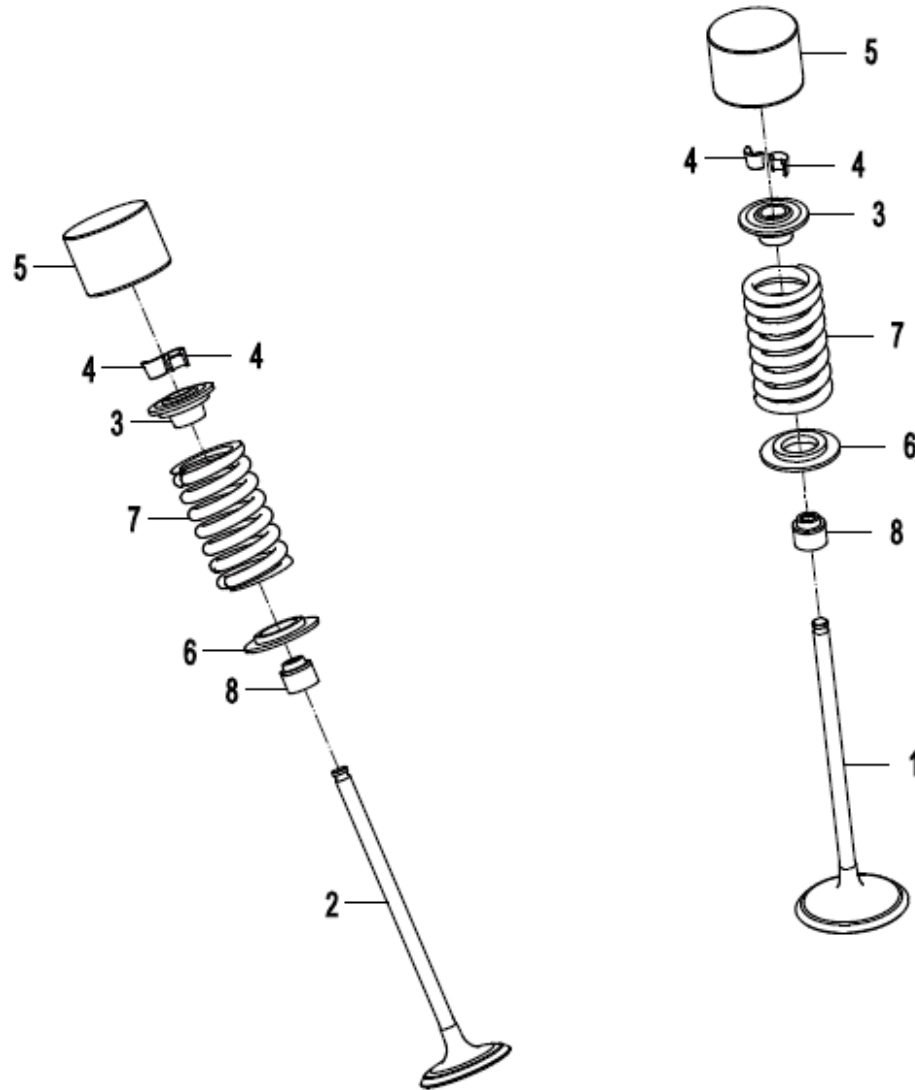
气缸盖分总成(1)/CYLINDER HEAD(1)



Item No.	Parts Number	Parts Name(EN)	Parts Name(CN)	Qty	Remarks
E02-2-03	0SQV-022105-1000	BOLT M6x65	螺栓 M6X65	2	
E02-2-04	0SQV-022106-1001	HEX FLANGE BOLT M6x45	六角法兰面螺栓 M6X45	10	
E02-2-05	0010-080008	DOWEL PIN 8X14	定位销Φ8X14	4	
E02-2-06	0SQV-022008-1000	CYLINDER HEAD BOLT M10X150	气缸盖螺栓 M10X150	6	
E02-2-07	0700-022016	WASHER 10.5x19x2.3	垫圈 10.5X19X2.3	6	
E02-2-08	0SQV-022011-1000	BOLT M6x90	螺栓 M6X90	2	
E02-2-09	0010-023010-0010	BOLT M6x20	螺栓 M6X20	4	
E02-2-10	0SQV-022200-1000	CONNECTOR ASSY.	过渡接头组件	1	
E02-2-11	1F30-024016	OIL SEAL, SURFACE	端面油封	1	
E02-2-12	018B-022810	WATER TEMPERATURE SENSOR	水温传感器	1	
E02-2-14	0MQ0-022500	THERMOSTAT	调温器	1	
E02-2-15	0SQV-022002-1000	SEAL RING, THERMOSTAT CAP	节温器盖密封圈	1	
E02-2-16	0SQV-022001-1000-0BP00	THERMOSTAT CAP (MAUD SPIRIT BLACK)	节温器盖	1	
E02-2-17	0SQV-022300-1000	GASKET, CYLINDER HEAD	气缸盖垫片组件	1	
E02-2-18	0180-022003-00001	STUD	双头螺柱	4	
E02-2-19	0700-021200	CYLINDER HEAD COVER BOLT SEAL RING	气缸盖罩螺栓密封圈	1	
E02-2-20	0DM0-022008-00001	CYLINDER HEAD DAMPING BOLT	缸盖减震螺栓	1	
E02-2-21	0SQV-022100-1003-0BP00	CYLINDER HEAD ASSY	气缸盖部件	1	

E02-3 气缸盖分总成(2) CYLINDER HEAD(2)

气缸盖分总成(2)/CYLINDER HEAD(2)

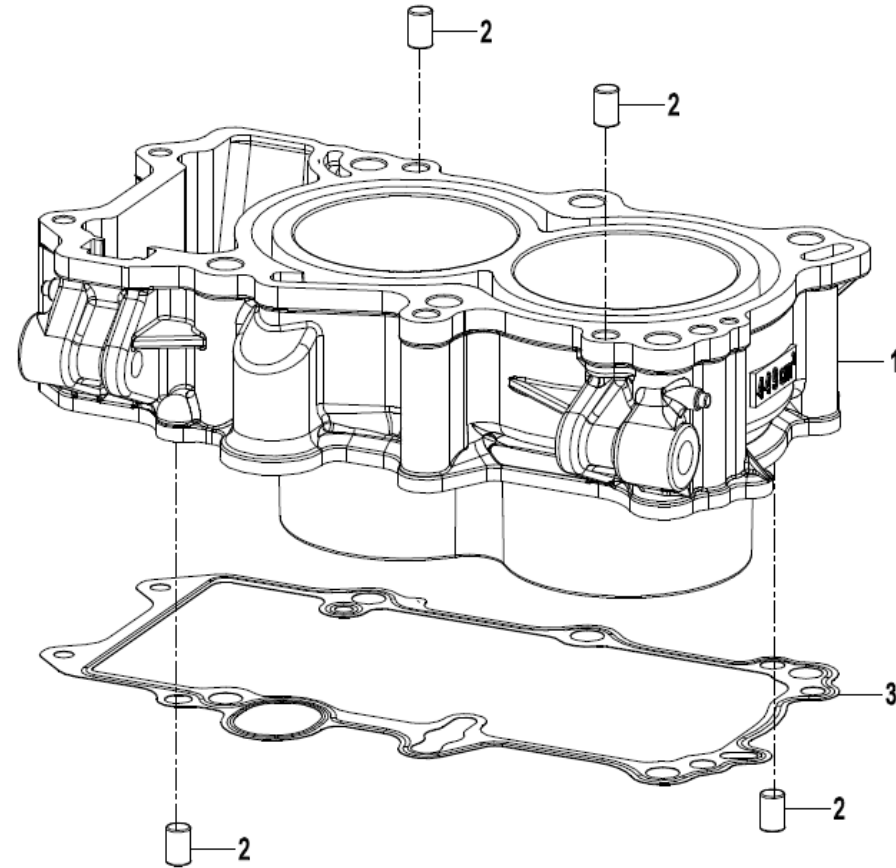


Item No.	Parts Number	Parts Name(EN)	Parts Name(CN)	Qty	Remarks
E02-3-01	0SQV-022004-1000	VALVE, INTAKE	进气门	4	
E02-3-02	0SQV-022005-1000	VALVE, EXHAUST	排气门	4	
E02-3-03	0MQ0-022003	UPPER SEAT, VALVE SPRING	气门弹簧上座	8	
E02-3-04	0700-022004	LOCK CLIP, VALVE	气门锁夹	16	
E02-3-05	0MQ0-022005-0370	TAPPET T=3.94	挺柱 T=3.94	8	
E02-3-05	0MQ0-022005-0380	TAPPET T=3.96	挺柱 T=3.96	8	
E02-3-05	0MQ0-022005-0390	TAPPET T=3.98	挺柱 T=3.98	8	
E02-3-05	0MQ0-022005-0400	TAPPET T=4.00	挺柱 T=4.00	8	
E02-3-05	0MQ0-022005-0410	TAPPET T=4.02	挺柱 T=4.02	8	
E02-3-05	0MQ0-022005-0420	TAPPET T=4.04	挺柱 T=4.04	8	
E02-3-05	0MQ0-022005-0430	TAPPET T=4.06	挺柱 T=4.06	8	
E02-3-05	0MQ0-022005-0440	TAPPET T=4.08	挺柱 T=4.08	8	
E02-3-05	0MQ0-022005-0450	TAPPET T=4.10	挺柱 T=4.10	8	
E02-3-05	0MQ0-022005-0460	TAPPET T=4.12	挺柱 T=4.12	8	
E02-3-05	0MQ0-022005-0470	TAPPET T=4.14	挺柱 T=4.14	8	
E02-3-05	0MQ0-022005-0480	TAPPET T=4.16	挺柱 T=4.16	8	
E02-3-05	0MQ0-022005-0490	TAPPET T=4.18	挺柱 T=4.18	8	
E02-3-05	0MQ0-022005-0070	TAPPET T=3.34	挺柱 T=3.34	8	
E02-3-05	0MQ0-022005-0080	TAPPET T=3.36	挺柱 T=3.36	8	
E02-3-05	0MQ0-022005-0090	TAPPET T=3.38	挺柱 T=3.38	8	
E02-3-05	0MQ0-022005-0100	TAPPET T=3.40	挺柱 T=3.40	8	
E02-3-05	0MQ0-022005-0110	TAPPET T=3.42	挺柱 T=3.42	8	
E02-3-05	0MQ0-022005-0120	TAPPET T=3.44	挺柱 T=3.44	8	
E02-3-05	0MQ0-022005-0130	TAPPET T=3.46	挺柱 T=3.46	8	
E02-3-05	0MQ0-022005-0140	TAPPET T=3.48	挺柱 T=3.48	8	
E02-3-05	0MQ0-022005-0150	TAPPET T=3.50	挺柱 T=3.50	8	
E02-3-05	0MQ0-022005-0160	TAPPET T=3.52	挺柱 T=3.52	8	
E02-3-05	0MQ0-022005-0170	TAPPET T=3.54	挺柱 T=3.54	8	
E02-3-05	0MQ0-022005-0180	TAPPET T=3.56	挺柱 T=3.56	8	
E02-3-05	0MQ0-022005-0190	TAPPET T=3.58	挺柱 T=3.58	8	
E02-3-05	0MQ0-022005-0200	TAPPET T=3.60	挺柱 T=3.60	8	
E02-3-05	0MQ0-022005-0210	TAPPET T=3.62	挺柱 T=3.62	8	
E02-3-05	0MQ0-022005-0220	TAPPET T=3.64	挺柱 T=3.64	8	
E02-3-05	0MQ0-022005-0230	TAPPET T=3.66	挺柱 T=3.66	8	

Item No.	Parts Number	Parts Name(EN)	Parts Name(CN)	Qty	Remarks
E02-3-05	0MQ0-022005-0240	TAPPET T=3.68	挺柱 T=3.68	8	
E02-3-05	0MQ0-022005-0250	TAPPET T=3.70	挺柱 T=3.70	8	
E02-3-05	0MQ0-022005-0260	TAPPET T=3.72	挺柱 T=3.72	8	
E02-3-05	0MQ0-022005-0270	TAPPET T=3.74	挺柱 T=3.74	8	
E02-3-05	0MQ0-022005-0280	TAPPET T=3.76	挺柱 T=3.76	8	
E02-3-05	0MQ0-022005-0290	TAPPET T=3.78	挺柱 T=3.78	8	
E02-3-05	0MQ0-022005-0300	TAPPET T=3.80	挺柱 T=3.80	8	
E02-3-05	0MQ0-022005-0310	TAPPET T=3.82	挺柱 T=3.82	8	
E02-3-05	0MQ0-022005-0320	TAPPET T=3.84	挺柱 T=3.84	8	
E02-3-05	0MQ0-022005-0330	TAPPET T=3.86	挺柱 T=3.86	8	
E02-3-05	0MQ0-022005-0340	TAPPET T=3.88	挺柱 T=3.88	8	
E02-3-05	0MQ0-022005-0350	TAPPET T=3.90	挺柱 T=3.90	8	
E02-3-05	0MQ0-022005-0360	TAPPET T=3.92	挺柱 T=3.92	8	
E02-3-06	0SQV-022006-1000	LOWER SEAT, VALVE SPRING	气门弹簧下座	8	
E02-3-07	0SQV-022003-1000-10	VALVE SPRING	气门弹簧	8	
E02-3-08	0700-022400-1000	SEAL RING, VALVE STEM	气门杆密封圈组件	8	

E02-4 气缸盖分总成(3) CYLINDER HEAD(3)

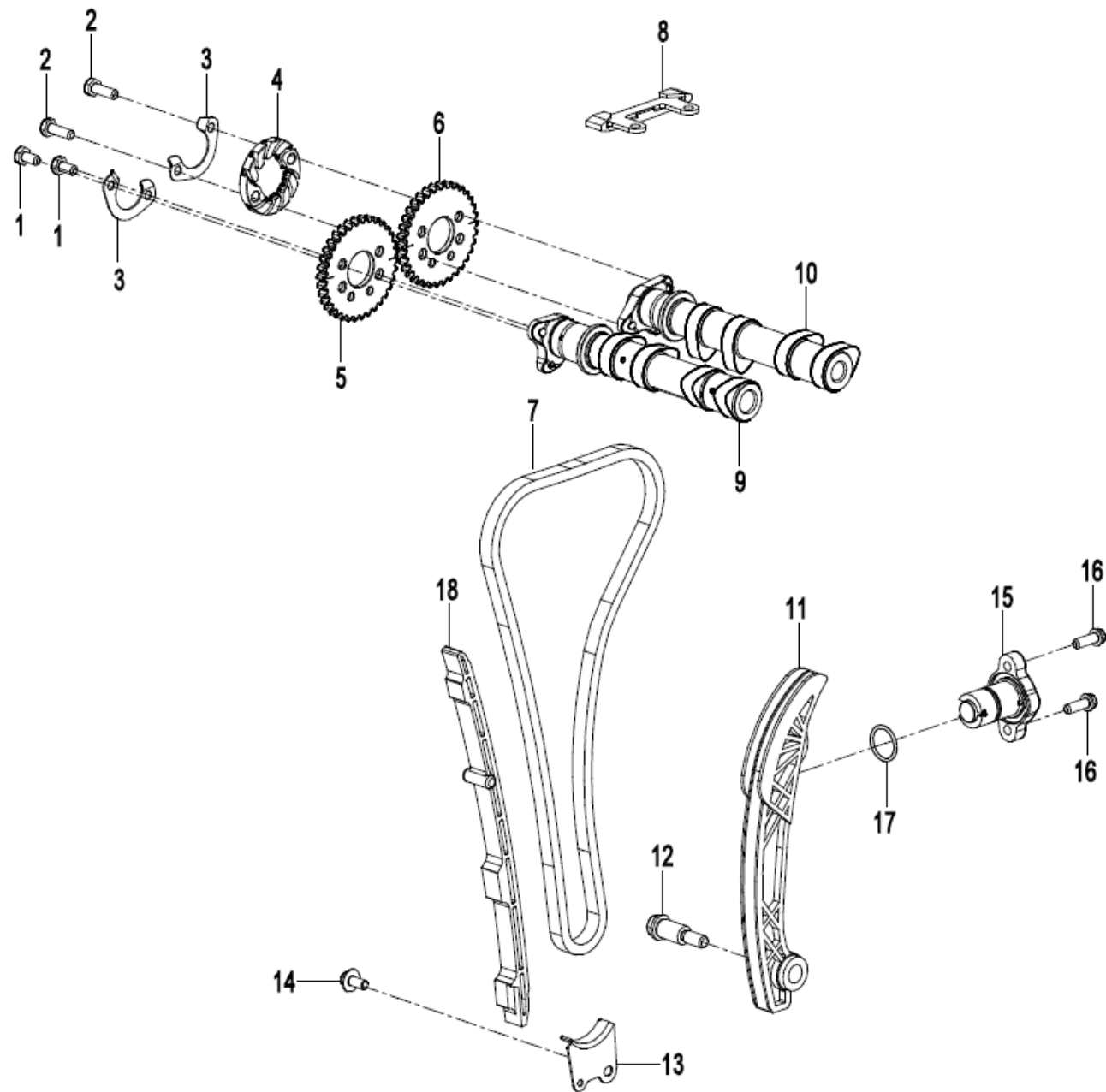
气缸盖分总成(4)/CYLINDER HEAD(4)



Item No.	Parts Number	Parts Name(EN)	Parts Name(CN)	Qty	Remarks
E02-4-01	0SQV-023001-1000-0BP00	CYLINDER BODY (MAUD SPIRIT BLACK)	气缸体	1	
E02-4-02	30410-00800	ROLLER	圆柱滚子	4	
E02-4-03	0SQV-023002-1000	GASKET, CYLINDER	气缸体垫片	1	

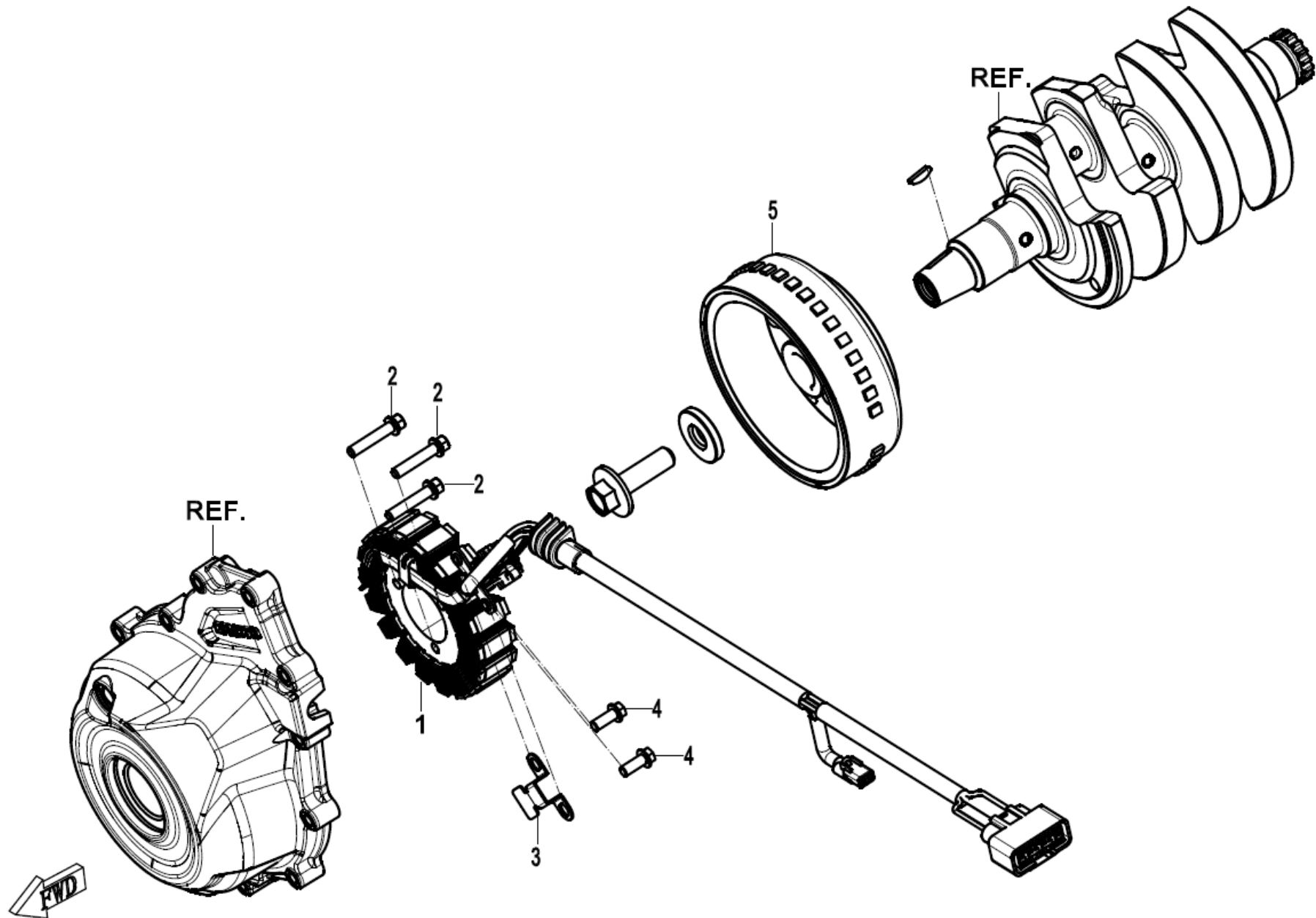
E02-5 配气传动分总成 CAMSHAFT

配气传动分总成/CAMSHAFT



Item No.	Parts Number	Parts Name(EN)	Parts Name(CN)	Qty	Remarks
E02-5-01	30004-060012150	BOLT	螺栓	2	
E02-5-02	1F30-024012	BOLT M6x18	螺栓 M6X18	2	
E02-5-03	0700-024003	RETAINER	止动挡片	2	
E02-5-04	0SQV-024013-1001	CENTRIFUGAL WHEEL	离心轮	1	
E02-5-05	0SQV-024002-1000	AIR OUTLET TIMING SPROCKET	排气正时链轮	1	
E02-5-06	0SQV-024001-1000	AIR INLET TIMING SPROCKET	进气正时链轮	1	
E02-5-07	0SQV-024200-1000	TIMING CHAIN	正时链条组件	1	
E02-5-08	0SQV-024100-1000	CHAIN GUIDE BLOCK	导链块	1	
E02-5-09	0SQV-024600-1001	CAMSHAFT, AIR EXHAUST	排气凸轮轴组件	1	ALT:- 0SQV-024600-1000
E02-5-10	0SQV-024500-1001	CAMSHAFT, AIR INLET	进气凸轮轴组件	1	ALT:- 0SQV-024500-1000
E02-5-11	0SQV-024005-1001	TENSION PLATE	张紧板	1	
E02-5-12	0SQV-024009-1000	PIN SHAFT	螺纹销轴	1	
E02-5-13	0SQV-024008-1000	PLATE, TIMING CHAIN	正时链条托板	1	
E02-5-14	0010-021019-0010	BOLT M6x12	螺栓 M6X12	1	
E02-5-15	0SQV-024400-1001	HYDRAULIC TENSIONOR	液压张紧器组件	1	
E02-5-16	0010-023010-0010	BOLT M6x20	螺栓 M6X20	2	
E02-5-17	0SQV-024401-1000	GASKET, HYDRAULIC TENSIONER	液压张紧器密封圈	1	
E02-5-18	0SQV-024003-1001	CHAIN GUARD	链条导板	1	

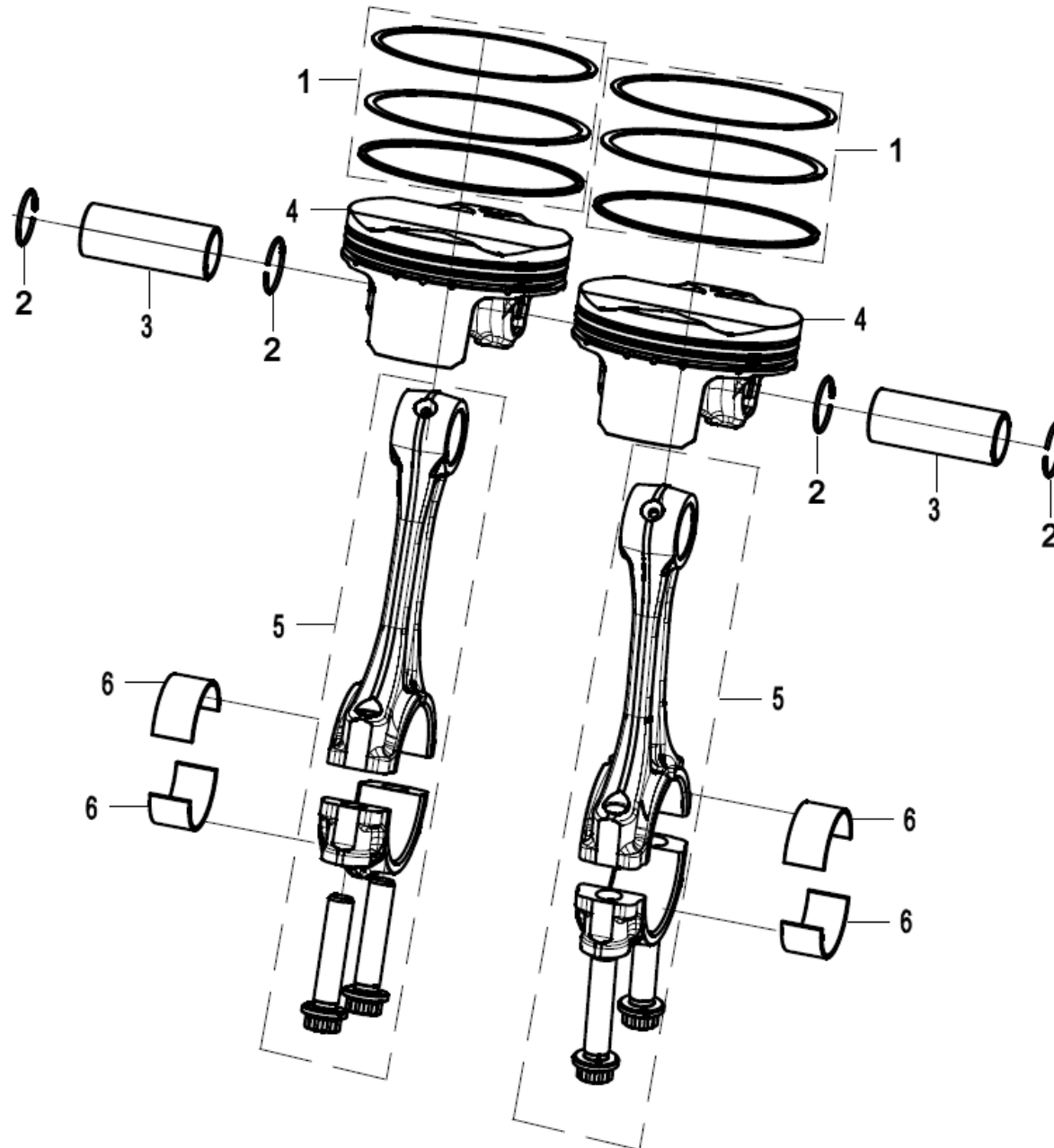
磁电机总成/FLYWHEEL



Item No.	Parts Number	Parts Name(EN)	Parts Name(CN)	Qty	Remarks
E03-01	0SQV-032000-1001-10	MAGNETO STATOR ASSY	磁电机定子组合	1	
E03-02	0180-030001-00001	BOLT M6X30	螺栓M6×30	3	
E03-03	0SQV-032100-1000	STATER WIRE PRESS PLATE	定子导线压板	1	
E03-04	0010-030002-00001	BOLT M5X16	螺栓M5×16	2	
E03-05	0SQV-031000-1001	MAGNETO ROTOR ASSY	磁电机转子组合	1	

E04-1 曲轴连杆总成 (1) CRANKSHAFT &CONNECTING ROD (1)

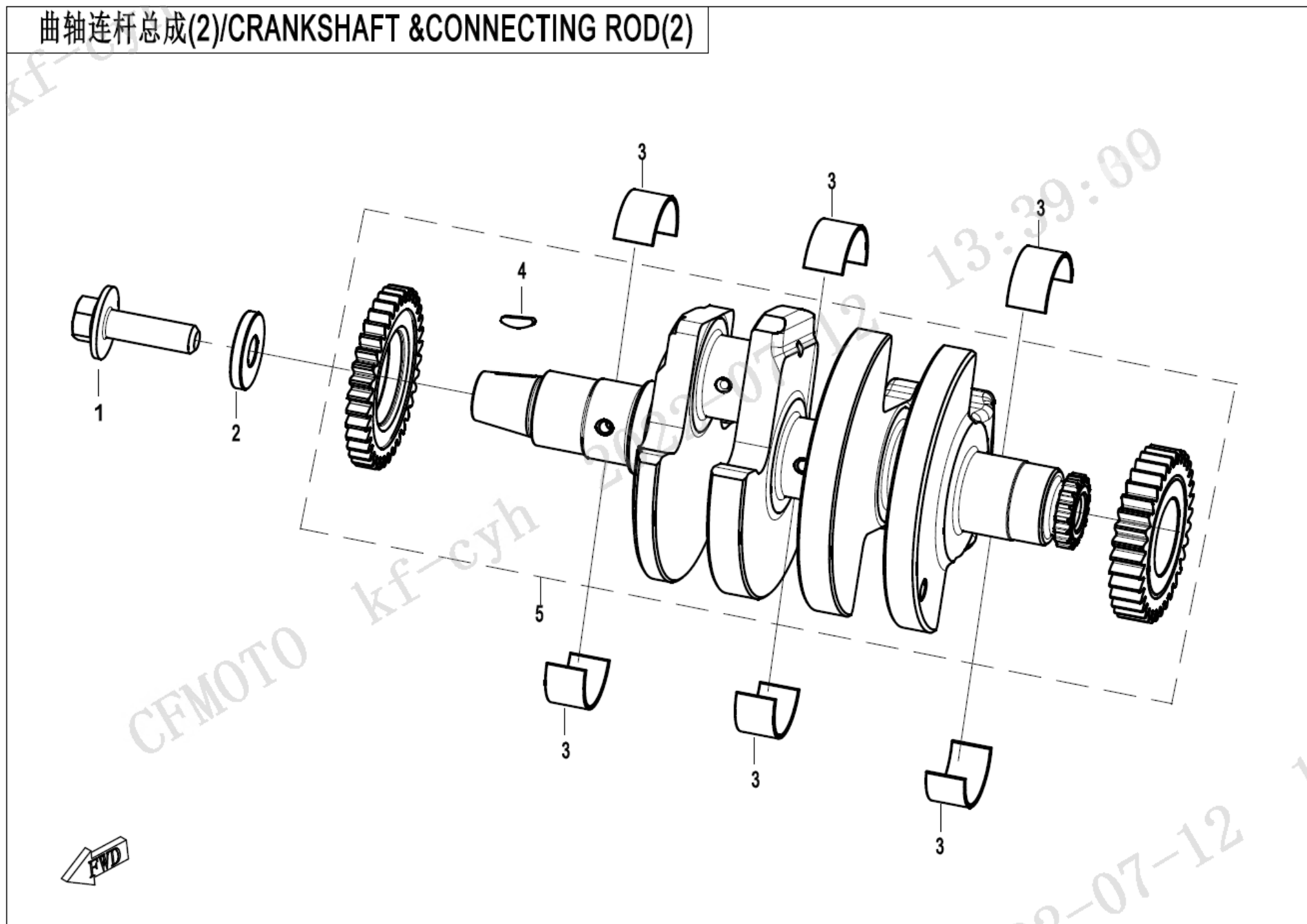
曲轴连杆总成(1)/CRANKSHAFT &CONNECTING ROD(1)



Item No.	Parts Number	Parts Name(EN)	Parts Name(CN)	Qty	Remarks
E04-1-01	0SQV-040110-10A0	PISTON RING KIT	活塞环组合	2	
E04-1-02	0110-040006-0050	CIRCLIP, PISTON PIN	活塞销挡圈	4	
E04-1-03	0SQV-040008-1000	PISTON PIN	活塞销	2	
E04-1-04	0SQV-040007-1001-Q0-00001	PISTON (MARK I)	活塞	2	
E04-1-04	0SQV-040007-1001-Q0-00002	PISTON (MARK II)	活塞	2	
E04-1-05	0SQV-042000-1001-Q0-00001	CONNECTING ROD ASSY	连杆组件	2	
E04-1-05	0SQV-042000-1001-Q0-00002	CONNECTING ROD ASSY	连杆组件	2	
E04-1-06	0SQV-040009-1000-Q0-00001	PLAIN BEARING, CONNECTING ROD (RED)	连杆瓦	4	
E04-1-06	0SQV-040009-1000-Q0-00002	PLAIN BEARING, CONNECTING ROD (BLACK)	连杆瓦	4	
E04-1-06	0SQV-040009-1000-Q0-00003	PLAIN BEARING, CONNECTING ROD (BLUE)	连杆瓦	4	

E04-2 曲轴连杆总成 (2) CRANKSHAFT &CONNECTING ROD (2)

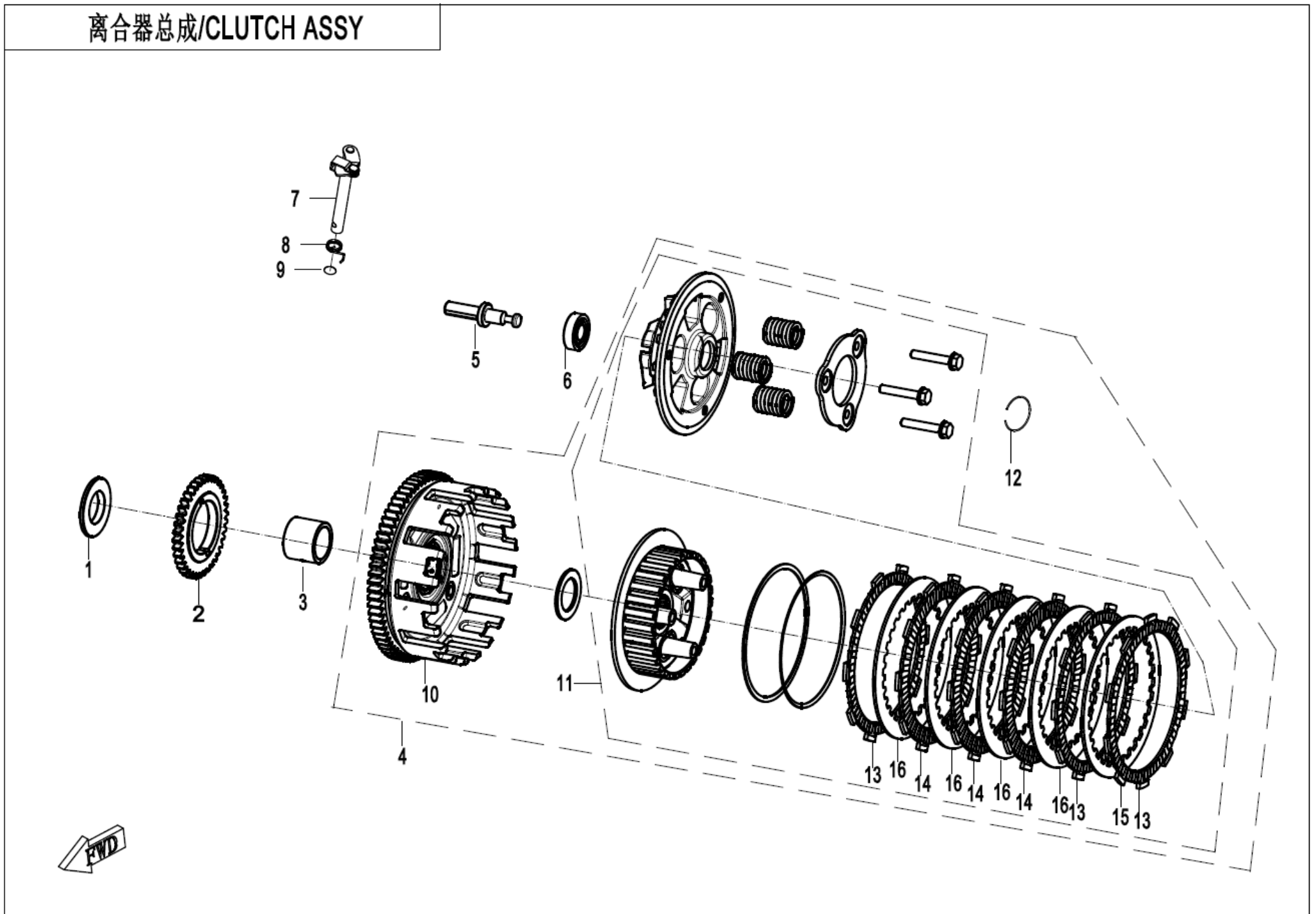
曲轴连杆总成(2)/CRANKSHAFT &CONNECTING ROD(2)



Item No.	Parts Number	Parts Name(EN)	Parts Name(CN)	Qty	Remarks
F04-2-01	0SQV-040001-1000	BOLT M12x1.25x40	螺栓	1	
F04-2-02	0700-040002-00001	WASHER	垫圈	1	
F04-2-03	0SQV-011001-1000-Q0-00001	PLAIN BEARING, MAIN SHAFT	主轴瓦	6	
F04-2-03	0SQV-011001-1000-Q0-00002	PLAIN BEARING, MAIN	主轴瓦	6	
F04-2-03	0SQV-011001-1000-Q0-00003	PLAIN BEARING, MAIN SHAFT	主轴瓦	6	
F04-2-04	0180-040007	WOODRUFF KEY	半圆键	1	
F04-2-05	0SQV-041000-1002	CRANKSHAFT ASSY	曲轴组合	1	

E05 离合器总成 CLUTCH

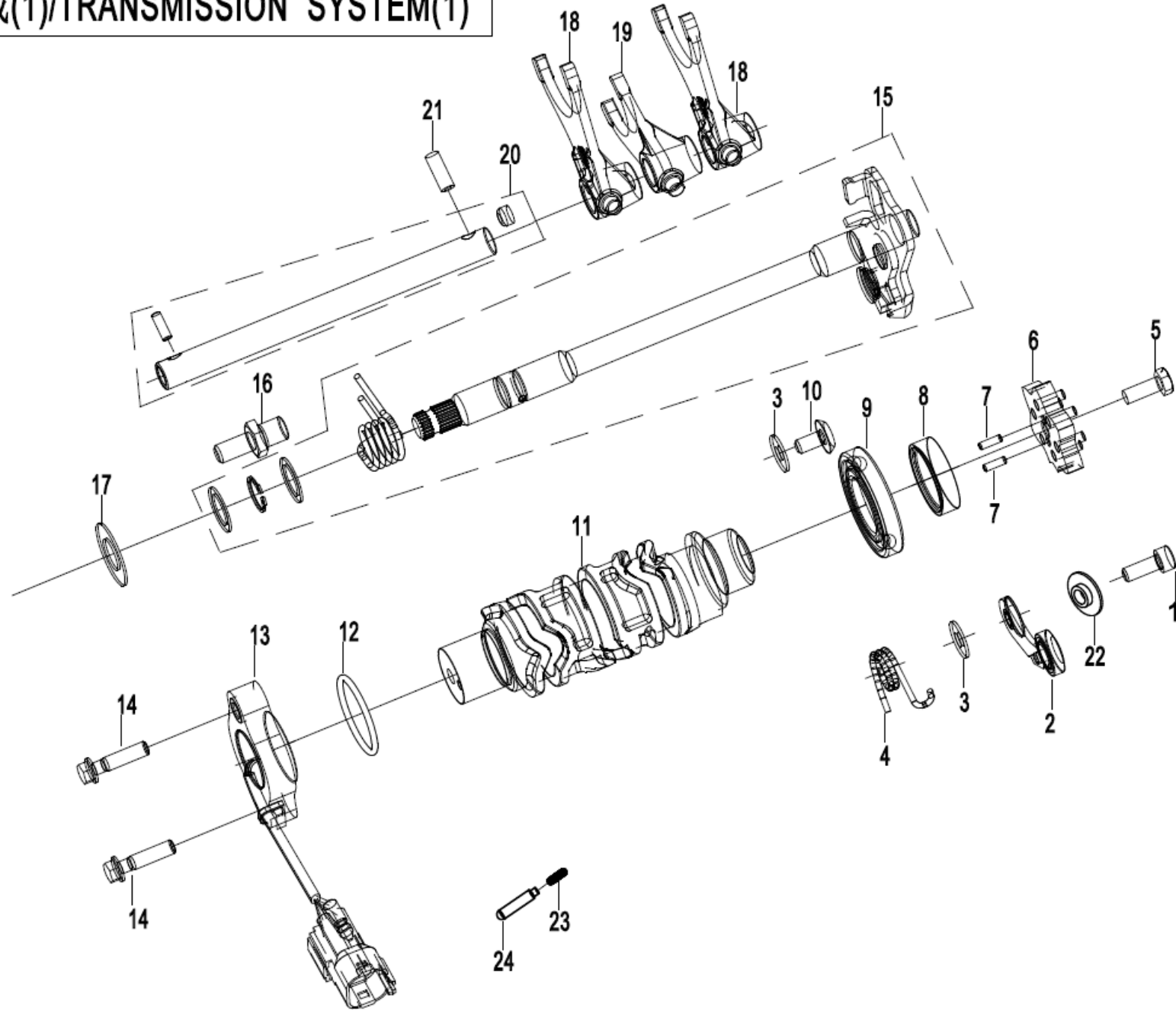
离合器总成/CLUTCH ASSY



Item No.	Parts Number	Parts Name(EN)	Parts Name(CN)	Qty	Remarks
E05-01	0SQV-050001-1000	WASHER 25.2X46X5.8	垫圈 25.2X46X5.8	1	
E05-02	0SQV-050005-1000-10	DRIVE GEAR, OIL PUMP	机油泵主动齿轮	1	
E05-03	0SQV-050002-1000	AXLE SLEEVE, CLUTCH	离合器轴套	1	
E05-04	0SQV-051000-1000-Q1-00001	CLUTCH SUB ASSY	离合器分总成	1	
E05-05	0SQV-050004-1001	ROD	拉杆	1	
E05-06	30400-01207	ROLLER BEARING	滚动轴承6001	1	
E05-07	0SQV-050100-1000	CLUTCH CONTROL SHAFT ASSY	离合控制轴组件	1	
E05-08	0700-013006-10000	RETURN SPRING, CLUTCH CONTROL LEVER	离合操纵杆回位扭簧	1	
E05-09	0700-013007	WASHER 12.5X18.5X0.6	垫圈 12.5X18.5X0.6	1	
E05-10	0SQV-051100-1000-M1	PRIMARY DRIVEN PULLEY ASSY	初级从动轮组合	1	
E05-11	0SQV-051200-1000-M1	CENTRAL SLEEVE ASSY	中心套部件	1	
E05-12	0SQV-060004-1000	LOCK WASHER	锁紧垫圈	1	
E05-13	0SQV-051210-1000-M1	FRICTION DISC ASSY 1	摩擦片组件 I	3	
E05-14	0SQV-051220-1000-M1	FRICTION DISC ASSY 2	摩擦片组件 II	3	
E05-15	0SQV-051213-1000-M1	DRIVEN DISC 1	从动片 I	1	
E05-16	0SQV-051214-1000-M1	DRIVEN DISC 2	从动片 II	4	

E06-1 换档变速总成 (1) TRANSMISSION SYSTEM (1)

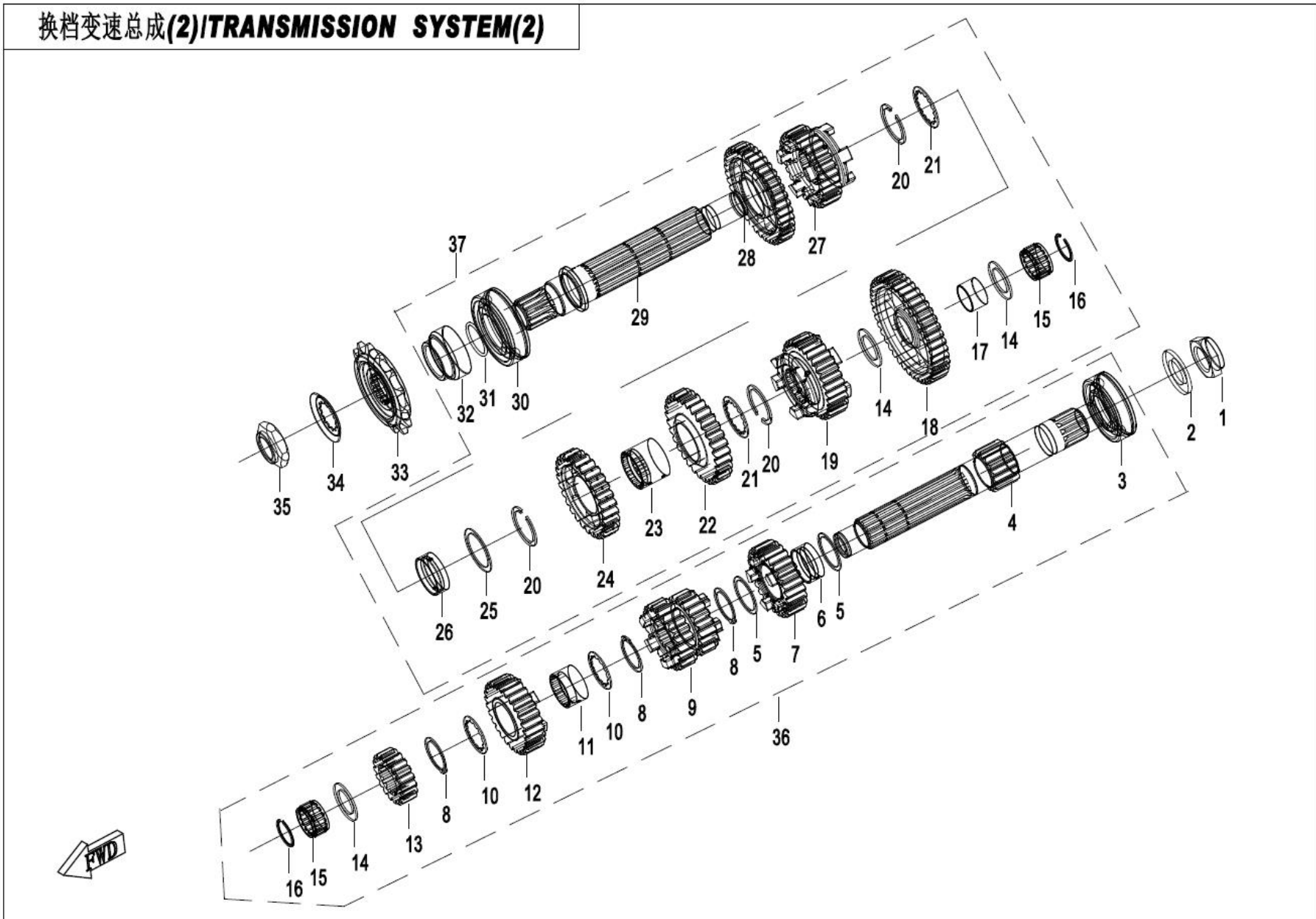
换档变速总成(1)/TRANSMISSION SYSTEM(1)



Item No.	Parts Number	Parts Name(EN)	Parts Name(CN)	Qty	Remarks
E06-1-01	30102-060016810	SCREW M6X16	螺钉 M6X16	1	
E06-1-02	0SQV-065100-1001	SPRING, ROCKER ARM	换挡定位摇臂分部件	1	ALT:- 0SQV-065100-1000
E06-1-03	0700-064001	WASHER 6.3X16.3X1.2	垫圈 6.3X16.3X1.2	2	
E06-1-04	ODM0-065001	SPRING, SWING ARM, GEARSHIFT	换挡定位摇臂扭簧	1	
E06-1-05	30004-060016130	BOLT M6x16	螺栓M6x16	1	
E06-1-06	0SQV-064100-1002	CAM, GEARSHIFT DRUM	定位星轮组件	1	
E06-1-07	30406-00303	NEEDLE BEARING	滚针	2	
E06-1-08	0SQV-064002-1000	SHIFT DRUM BUSHING	变速毂衬套	1	
E06-1-09	30400-02505	BEARING	滚动轴承	1	
E06-1-10	0010-090005-0010	BOLT M6x16	螺栓 M6X16	1	
E06-1-11	0SQV-064001-1001	SHIFT DRUM	变速毂	1	
E06-1-12	0SQV-060012-1000	O-RING 31X2.5	O形圈 31X2.5	1	
E06-1-13	0SQV-060400-1001	GEAR SENSOR	档位传感器组件	1	
E06-1-14	0010-021017-0010	BOLT M6x25	螺栓 M6X25	2	
E06-1-15	0SQV-063000-1001	GEARSHIFT ROD	换挡杆组合	1	
E06-1-16	ODM0-063002-00001	SHIFT POSITION SPRING PIN	换挡定位扭簧销	1	
E06-1-17	0SQV-060013-1000	WASHER 14X28X1	垫圈 14X28X1	1	
E06-1-18	0SQV-060002-1000	SHIFT FORK (LH & RH)	换挡拨叉(左、右)	2	
E06-1-19	0SQV-060003-1000	SHIFT FORK (MIDDLE)	换挡拨叉(中)	1	
E06-1-20	0SQV-060102-1002	FORK SHAFT	拨叉轴	1	
E06-1-21	0SQV-060015-1001	DOWEL PIN 6	定位销6	1	
E06-1-22	0700-064003-00001	SLEEVE, SWING ARM, GEARSHIFT	换挡定位摇臂轴套	1	
E06-1-23	0700-063007	SPRING, CONTACTOR	触头弹簧	1	
E06-1-24	0700-063008	BALL CONTACTOR	球形触头	1	

E06-2 换档变速总成(2) TRANSMISSION SYSTEM(2)

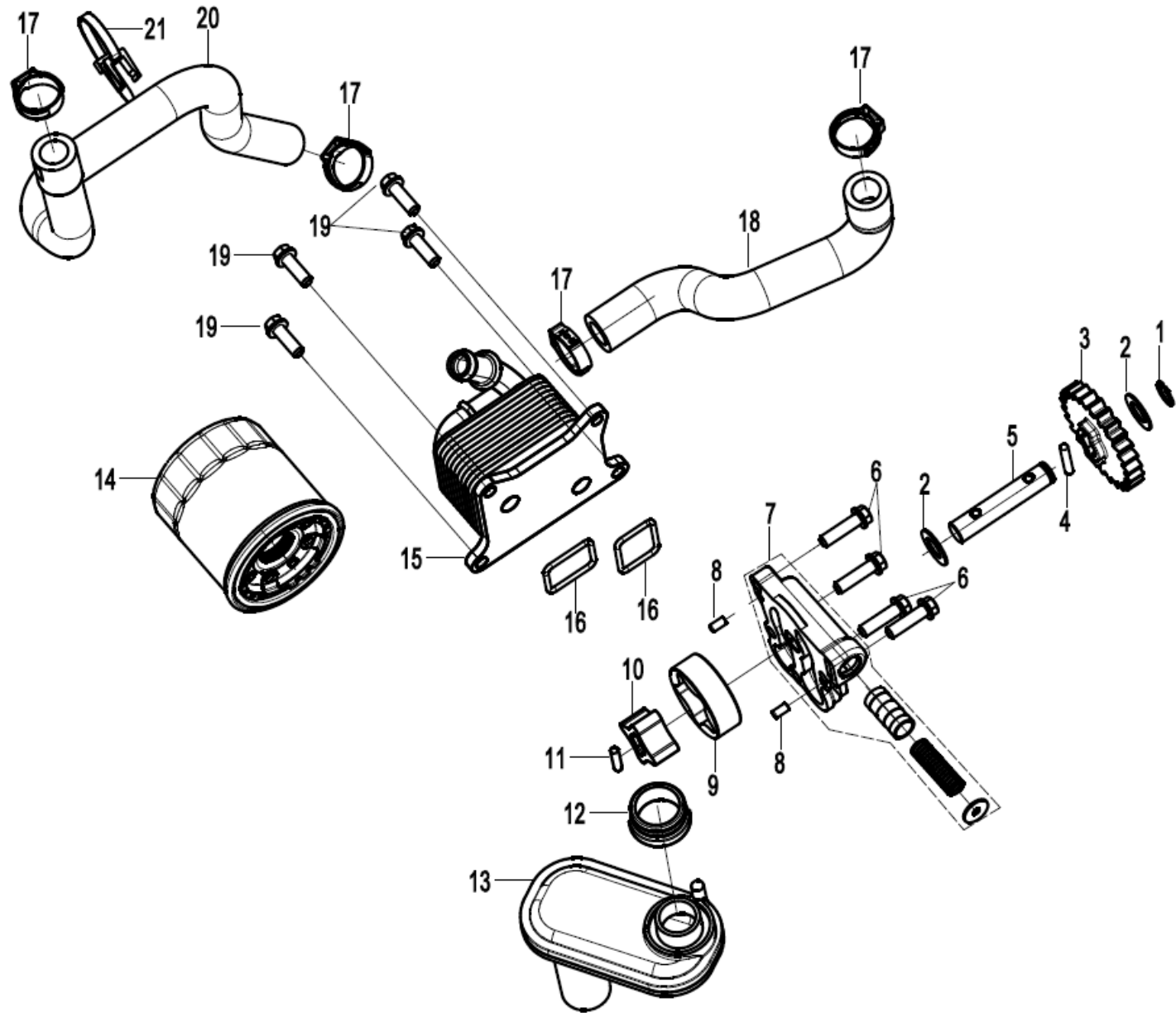
换档变速总成(2)/TRANSMISSION SYSTEM(2)



Item No.	Parts Number	Parts Name(EN)	Parts Name(CN)	Qty	Remarks
E06-2-01	0700-061002-00002	NUT M20X1.5	螺母M20×1.5	1	
E06-2-02	0700-061003	CIRCLIP 20	弹性垫圈20	1	
E06-2-03	0SQV-061012-1000-10	BEARING, MAIN SHAFT	主轴轴承	1	ALT:- 0SQV-061012-1000

Item No.	Parts Number	Parts Name(EN)	Parts Name(CN)	Qty	Remarks
E06-2-04	0SQV-061001-1000	MAIN SHAFT	主轴	1	
E06-2-05	0SQV-061008-1000	WASHER 25.2X31X1	垫圈 25.2X31X1	2	
E06-2-06	0SQV-061011-1000	BUSHING 25X28X12	衬套 25X28X12	1	
E06-2-07	0SQV-061009-1000	5TH GEAR, MAIN SHAFT	主轴五挡齿轮	1	
E06-2-08	0DM0-062017	CIRCLIPS FOR SHAFT 25	轴用弹性挡圈25	3	
E06-2-09	0SQV-061007-1000	3RD4TH GEAR, MAIN SHAFT	主轴三_四挡齿轮	1	
E06-2-10	0DM0-062016	SPLINE WASHER 25x31x1	花键垫圈	2	
E06-2-11	0SQV-061006-1000	SPLINE SLEEVE	花键套	1	
E06-2-12	0SQV-061005-1000	6TH GEAR, MAIN SHAFT	主轴六挡齿轮	1	
E06-2-13	0SQV-061003-1000	2ND GEAR, MAIN SHAFT	主轴二挡齿轮	1	
E06-2-14	0SQV-061002-1000	WASHER 20.2X31X1.5	垫圈 20.2X31X1.5	3	
E06-2-15	30499-02004	NEEDLE BEARING KMJ20X26X13.8X1S	滚针轴承 KMJ20X26X13.8X1S	2	
E06-2-16	0700-061016	CIRCLIPS FOR SHAFT20	轴用挡圈20	2	
E06-2-17	0SQV-062102-1000	SHAFT SLEEVE	轴套	1	
E06-2-18	0SQV-062101-1000	1ST GEAR, COUNTERSHAFT	副轴一挡齿轮	1	
E06-2-19	0SQV-062013-1000	5TH GEAR, COUNTERSHAFT	副轴五挡齿轮	1	
E06-2-20	30801-02805	CIRCLIPS FOR SHAFT 28	轴用弹性挡圈28	3	
E06-2-21	0SQV-062008-1000	WASHER, SPLINE	花键垫圈	2	
E06-2-22	0SQV-062012-1000	3RD GEAR, COUNTERSHAFT	副轴三挡齿轮	1	
E06-2-23	0SQV-062011-1000	SPLINE SLEEVE	花键套	1	
E06-2-24	0SQV-062009-1000	4TH GEAR, COUNTERSHAFT	副轴四挡齿轮	1	
E06-2-25	0SQV-062006-1000	28.2x36x1	垫圈 28.2X36X1	1	
E06-2-26	0SQV-062005-1000	28x10.5	轴套 28X10.5	1	
E06-2-27	0SQV-062007-1001	6TH GEAR, COUNTERSHAFT	副轴六挡齿轮	1	
E06-2-28	0SQV-062004-1000	2ND, COUNTERSHAFT	副轴二挡齿轮	1	
E06-2-29	0SQV-062001-1001	COUNTERSHAFT	副轴	1	
E06-2-30	0SQV-062003-1000-10	COUNTERSHAFT BEARING 62x28	副轴轴承 62X28	1	ALT:- 0SQV-062003-1000
E06-2-31	0800-062205	O-RING 25X2	O形密封圈 25X2	1	
E06-2-32	0SQV-062002-1000	SHAFT SLEEVE, COUNTERSHAFT	副轴轴套	1	
E06-2-33	0MQ0-062030	SPROCKET, OUTPUT	输出链轮组合	1	
E06-2-34	0700-062015	WASHER	防松垫圈	1	
E06-2-35	0SQV-060014-1001	NUT M20x1.5	螺母	1	ALT:- 0SQV-060014-1000
E06-2-36	0SQV-061000-1000	MAIN SHAFT	主轴组合	1	
E06-2-37	0SQV-062000-1002	COUNTERSHAFT ASSY	副轴组合	1	

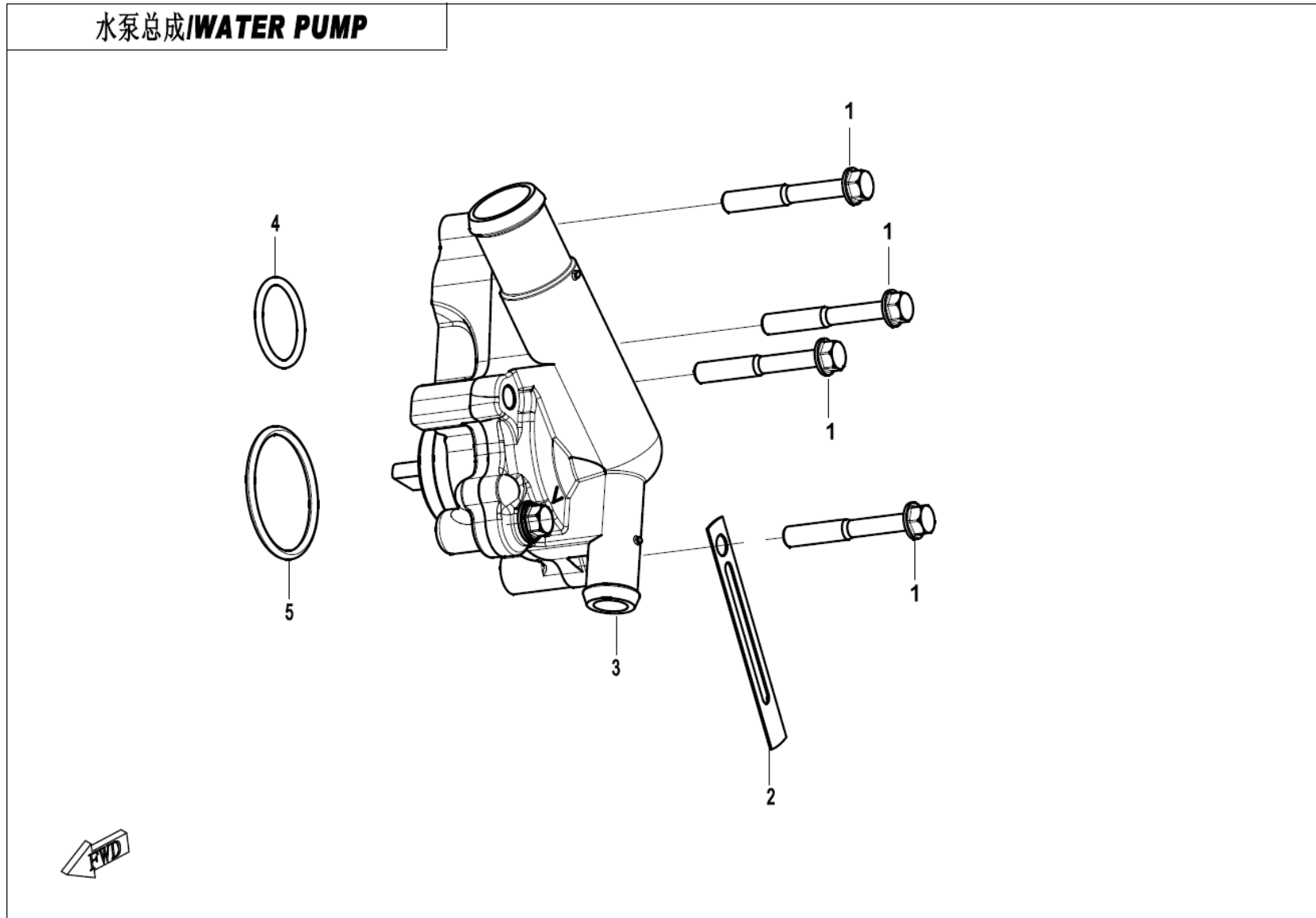
润滑系统总成/LUBRICATION SYSTEM



Item No.	Parts Number	Parts Name(EN)	Parts Name(CN)	Qty	Remarks
E07-01	30801-01100	CIRCLIPS FOR SHAFT 11	轴用弹性挡圈11	1	
E07-02	0SQV-071003-1000	WASHER 11X20X1	垫圈 11X20X1	2	
E07-03	0SQV-071001-1001	GEAR, OIL PUMP	机油泵齿轮	1	
E07-04	30406-00402	ROLLER NEEDLE P4x21.8	滚针P4x21.8	1	
E07-05	0SQV-071002-1000	SHAFT, OIL PUMP	机油泵轴	1	
E07-06	0010-023010-0010	BOLT M6x20	螺栓 M6X20	4	
E07-07	0SQV-071101-10A0	OIL PUMP COVER ASSY	机油泵盖组合	1	
E07-08	30406-00401	ROLLER NEEDLE P4x7.8	滚针P4x7.8	2	ALT:- 920301-40078-PG2
E07-09	0700-071003	OUTER ROTOR, MAIN OIL PUMP	主机油泵外转子	1	
E07-10	0700-071004	INNER ROTOR, MAIN OIL PUMP	主机油泵内转子	1	
E07-11	30406-00400	ROLLER NEEDLE P4x15.8	滚针 P4X15.8	1	
E07-12	0700-070101-00001	GASKET, OIL SUCTION PAN	吸油盘密封圈	1	
E07-13	0SQV-073100-1000	FILTER	集滤器组合	1	
E07-14	0700-070200	OIL FILTER	机油滤清器总成	1	
E07-15	0SQV-072100-1000	OIL COOLER	油冷器组件	1	
E07-16	0SQV-072003-1000	SEAL RING, OIL COOLER	油冷器密封圈	2	
E07-17	0SQV-028002-1000-M1	CLAMP Dia 22.5	无极环箍 22.5	4	
E07-18	0SQV-072001-1000	WATER OUTLET PIPE, OIL COOLER	油冷器出水管	1	
E07-19	0010-023008-00001	BOLT M6X18	螺栓M6x18	4	ALT:- 0010-023008-0010
E07-20	0SQV-072002-1000	WATER INLET PIPE, OIL COOLER	油冷器进水管	1	
E07-21	0SQV-072200-1001-M1	TIE BAND	扎带总成	1	

E08 水泵总成 WATER PUMP

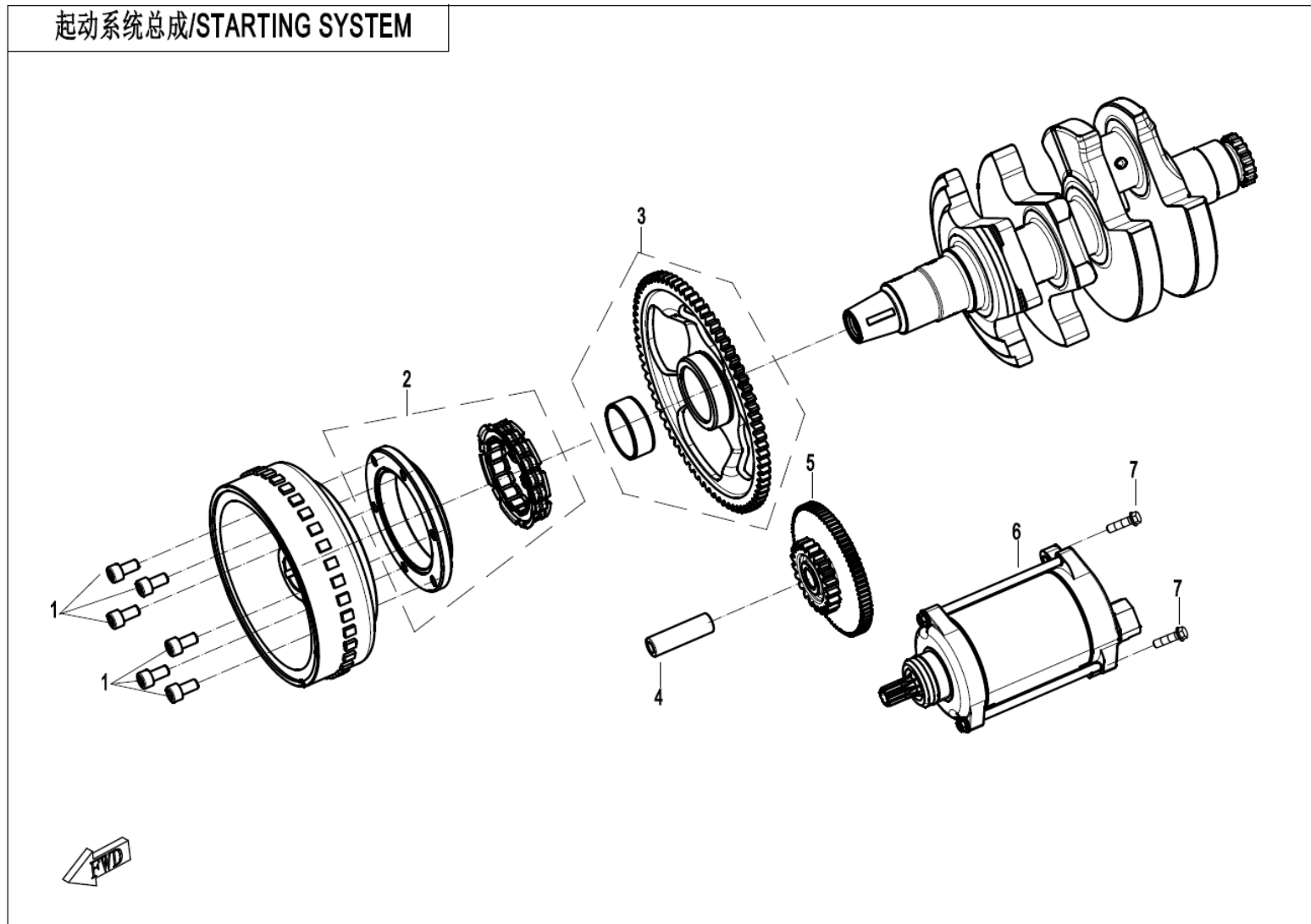
水泵总成/WATER PUMP



Item No.	Parts Number	Parts Name(EN)	Parts Name(CN)	Qty	Remarks
E08-01	0HTB-065202	BOLT M6x42	螺栓 M6X42	4	
E08-02	0180-014010	WIRE CLIP	线夹组合	1	
E08-03	0SQV-081000-1001-0BU00	WATER PUMP SUB ASSY	水泵分总成	1	
E08-04	0SQV-081009-1000	O-RING	O型密封圈	1	
E08-05	0SQV-080002-1000	O-RING 33x2.65	O形密封圈 33X2.65	1	

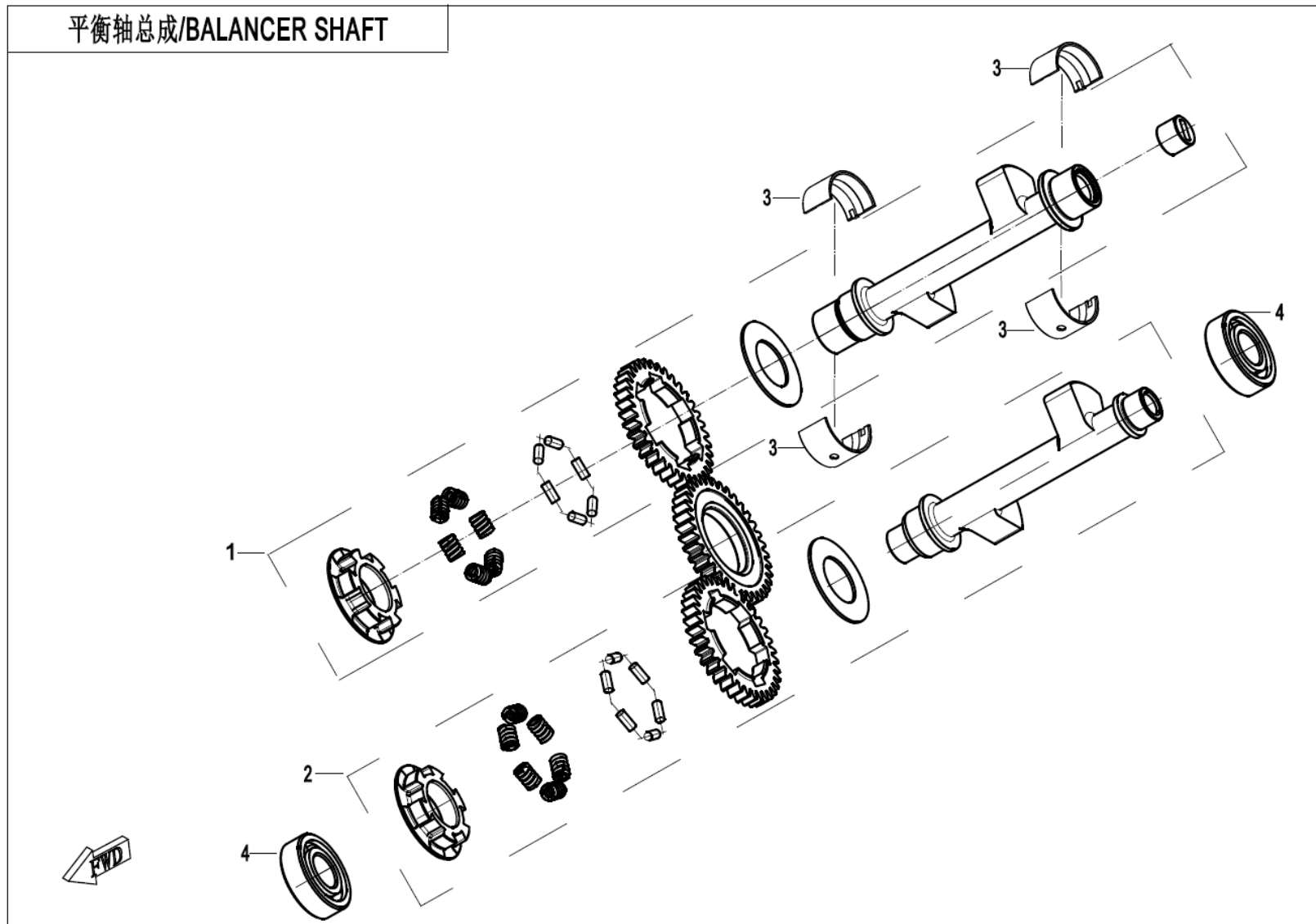
E09 起动系统总成 STARTING SYSTEM

起动系统总成/STARTING SYSTEM



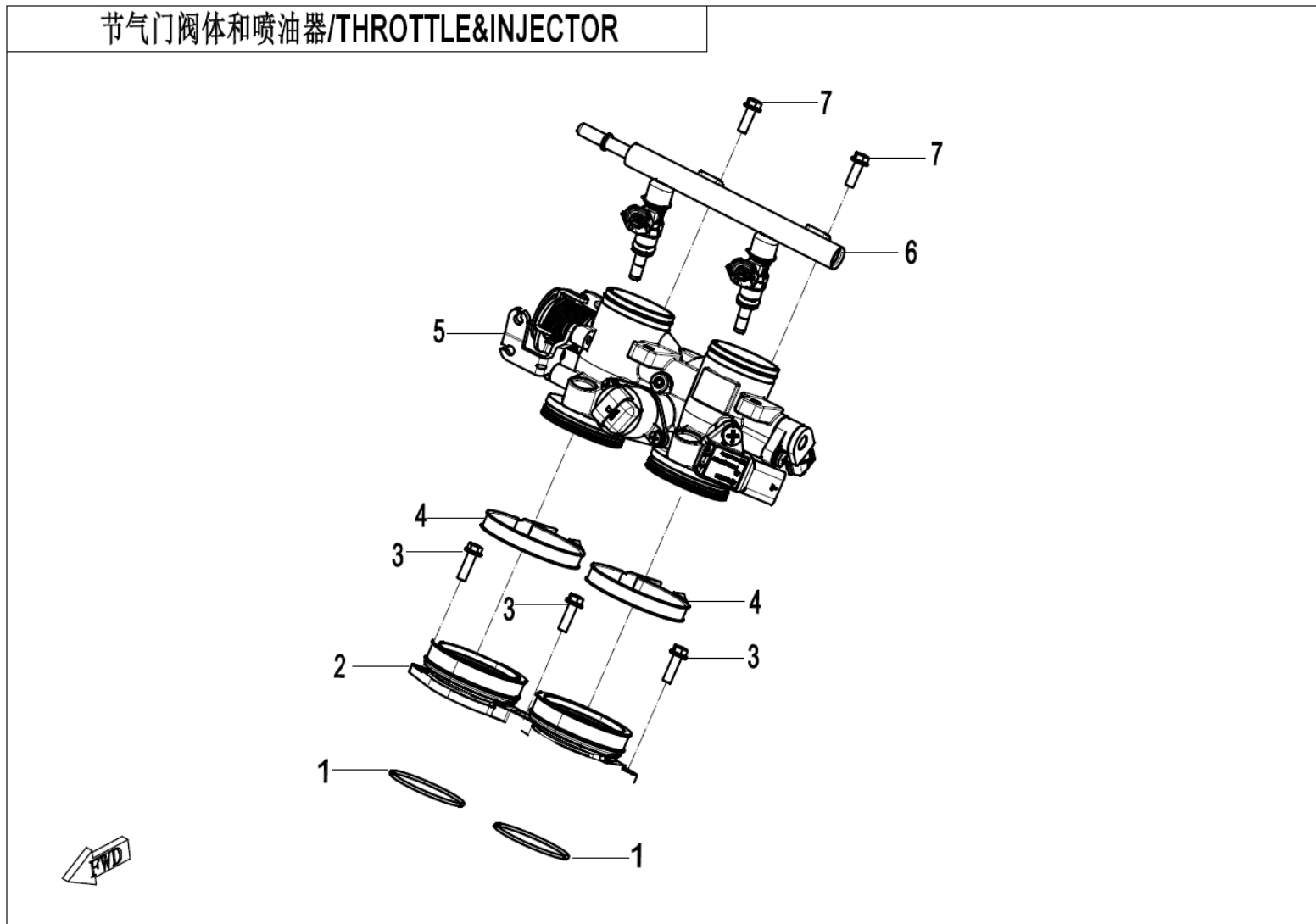
Item No.	Parts Number	Parts Name(EN)	Parts Name(CN)	Qty	Remarks
E09-01	30102-060012810	SCREW	螺钉	6	
E09-02	0SQV-091000-1001	OVERRIDING CLUTCH ASSY	超越离合器组件	1	
E09-03	0SQV-092000-1002	GEAR, STARTING MOTOR	起动大齿轮组件	1	ALT:- 0SQV-092000-1001
E09-04	0700-090003	SHAFT, MIDDLE GEAR	中间齿轮轴	1	
E09-05	0SQV-090001-1000	DUAL GEAR	双联齿轮	1	
E09-06	0SQV-093000-1000	STARTING MOTOR	起动电机组件	1	
E09-07	0010-021017-0010	BOLT M6x25	螺栓	2	

E16 平衡轴总成 BALANCER SHAFT



Item No.	Parts Number	Parts Name(EN)	Parts Name(CN)	Qty	Remarks
E16-01	0SQV-161000-1002	FRONT BALANCING SHAFT ASSY	前平衡轴组件	1	ALT:- 0SQV-161000-1001
E16-02	0SQV-162000-1001	REAR BALANCING SHAFT	后平衡轴组件	1	
E16-03	0SQV-011002-1000-Q0-00001	PLAIN BEARING, BALANCER SHAFT (RED)	平衡轴瓦	4	
E16-03	0SQV-011002-1000-Q0-00002	PLAIN BEARING, BALANCER SHAFT (BLACK)	平衡轴瓦	4	
E16-03	0SQV-011002-1000-Q0-00003	PLAIN BEARING, BALANCER SHAFT (BLUE)	平衡轴瓦	4	
E16-04	30400-02009	BEARING	滚动轴承	2	

E17 节气门阀体和喷油器 THROTTLE&INJECTOR



Item No.	Parts Number	Parts Name(EN)	Parts Name(CN)	Qty	Remarks
E17-01	0SQV-022009-1000	O-RING 46.2X2	O型圈 46.2X2	2	
E17-02	0SQV-022400-1000	CONNECTING PIPE, THROTTLE BODY	节气门体连接管组合	1	
E17-03	0010-023008-00001	BOLT	螺栓M6x18	3	ALT:- 0010-023008-0010
E17-04	0SQV-022410-1000	CLAMP 62	卡箍62	2	
E17-05	0SQV-173000-1000-10	THROTTLE BODY ASSY	节气门体总成	1	
E17-06	0SQV-173200-1001	FUEL PIPE ASSY	燃油分配管总成	1	
E17-07	0010-090005-0010	BOLT M6x16	螺栓 M6X16	1	